

## Drilling tool holder KPS 45 ER16

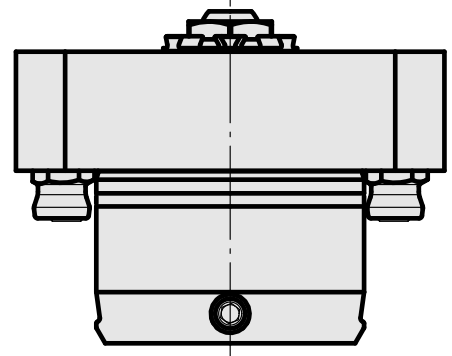
### Technical data

<b>Shank KPS</b>	KPS 45
<b>Drive</b>	not live
<b>Cooling</b>	external and internal
<b>Mounting</b>	ER16
<b>Pressure</b>	80 bar
<b>X [mm]</b>	20 (0.79")
<b>Y [mm]</b>	–
<b>Z [mm]</b>	–
<b>INDEX TRAUB products</b>	TNL18



### Note

Specially for TRAUB TNL machines having a turret with a B axis!



## Documents

No downloads available for this product

## Accessories

Required for operation

### [Spanner](#)

Product ID : 11006246

Previous product ID : 490219.3161

TH accessories category Tool	Mounting ER16	Collet type ER 16	Clamping nut type Male thread
Tools for Collet chucks Clamping nut wrench			

## Optional accessories

### Tool holder accessories

### [Clamping nut](#)

Product ID : 10911008

Previous product ID : 901939.5161

TH accessories category Clamping nut	Mounting ER16	Collet type ER 16	Clamping nut type Male thread
---	------------------	----------------------	----------------------------------

### [Clamping nut, for internal cooling lubricant supply](#)

Product ID : 10546850

Previous product ID : 326691

TH accessories category Clamping nut	Mounting ER16	Collet type ER 16	Clamping nut type Male thread
---	------------------	----------------------	----------------------------------

---

[Coolant tube, L=100 mm \(3.93"\)](#)

Product ID : 10346684  
Previous product ID : W9990559

TH accessories category Cooling lubricant tube	Mounting M6
--	----------------

**Other accessories**

[Clamping collet](#)

Product ID : 10834596  
Previous product ID : 901930.1---

---

[tapping tool collet ET-1-16](#)

Product ID : 10542491  
Previous product ID : 3230--

---

[Clamping collet](#)

Product ID : 10589709  
Previous product ID : W99903--

---

[tapping tool collet](#)

Product ID : 10865233  
Previous product ID : WZ9990.9506F

---

[Collet chuck](#)

Product ID : 10809952  
Previous product ID : W9990065-

---

[Clamping collet, sealed](#)

Product ID : 10698406  
Previous product ID : W999085-

---

[BUSHING 10 D x 6 D x 12,5](#)

Product ID : 10670360  
Previous product ID : W67530.0824

---

10311319  
W7040050

**INDEX**

---

Coolant Nozzle

Product ID : 11031912  
Previous product ID : W67500.3208

---

HOLLOW SCREW M14x1 M14x1

Product ID : 10105238  
Previous product ID : W67530.0818

---

Nozzle M6 mit D1,6

Product ID : 10147428  
Previous product ID : W00019.0216

---