

Saw blade, circular saw blade width 2 mm (0.07")

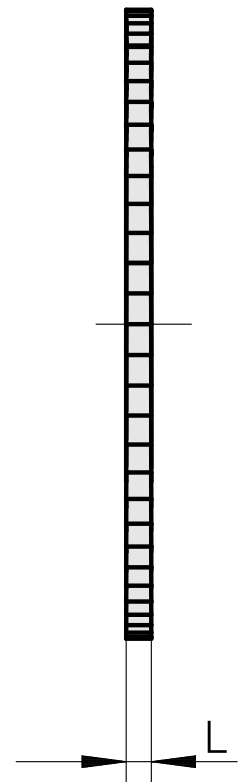
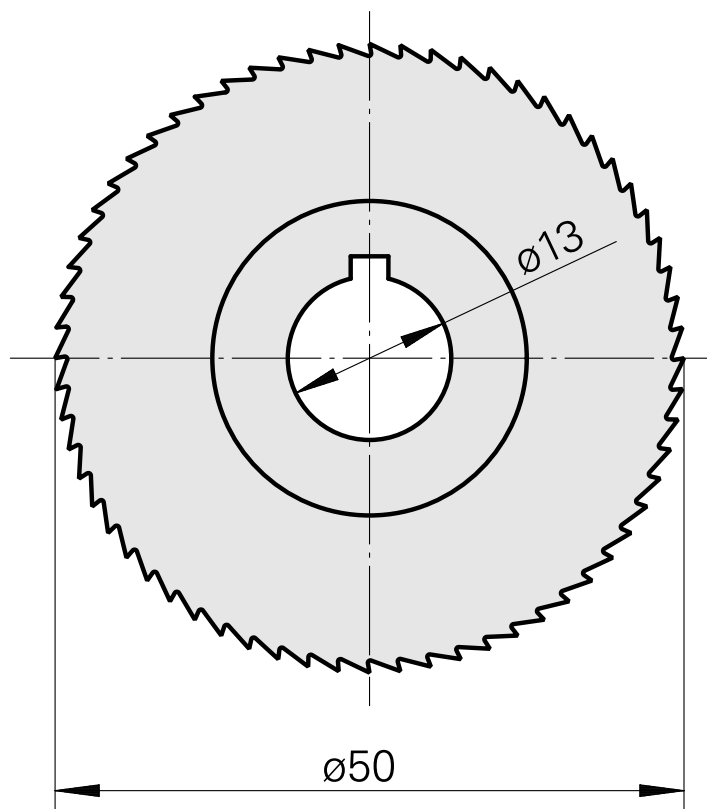
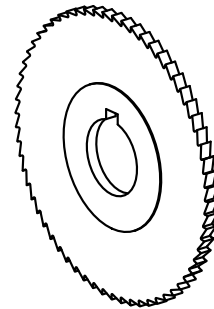
Technical features

TH accessories category

Circular saw blade d50

Tool mounting

13 mm



Documents

No downloads available for this product