

## WFB 20-12 Horn Type 110

### Technical data

TH accessories category

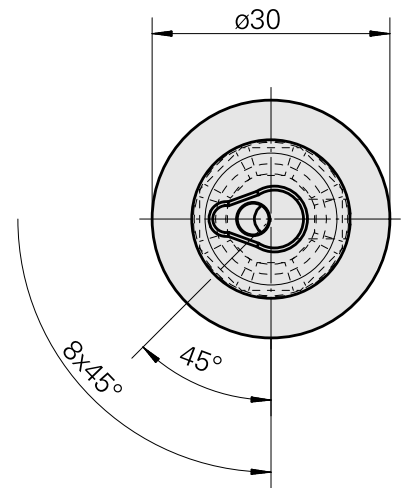
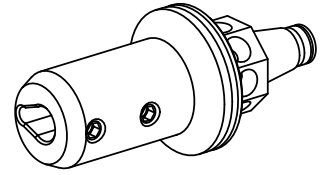
WFB 20-12

Mounting

Horn Type 110

Quick change inserts

Horn S-Mini



## **Documents**

No downloads available for this product

## **Accessories**

Required for operation

### [Grub screw](#)

Product ID : 10324659

Previous product ID : 410156.0606

---