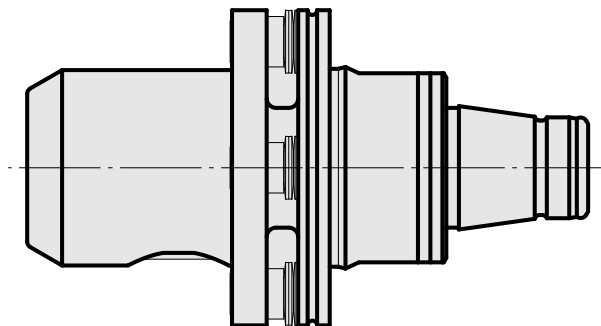
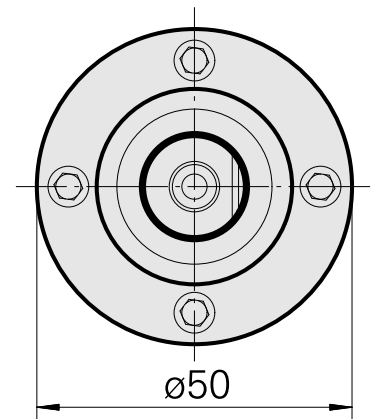
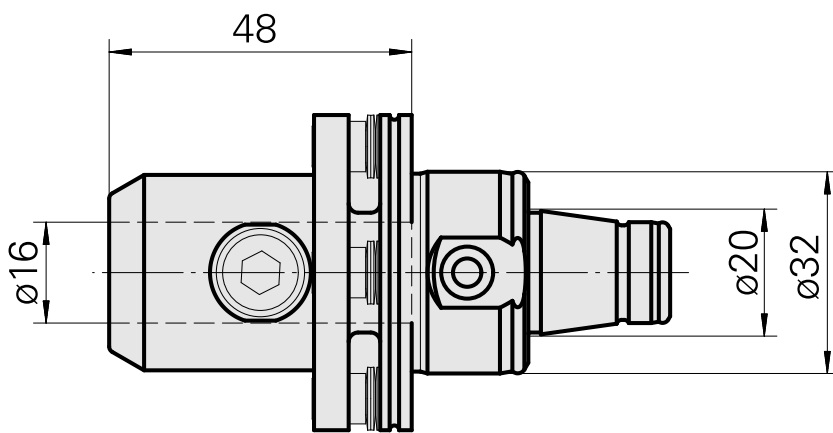
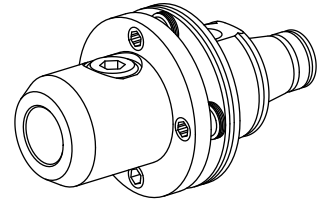


WFB 32-20 D16, Pendulum

Technical data

| | |
|-------------------------|-----------------|
| TH accessories category | WFB 32-20 |
| Mounting | D16 |
| Quick change inserts | Weldon mounting |



Documents

No downloads available for this product

Accessories

Optional accessories

Other accessories

[Mounting sleeve with collar D16](#)

Product ID : 10914323

Previous product ID : W67511.04--
