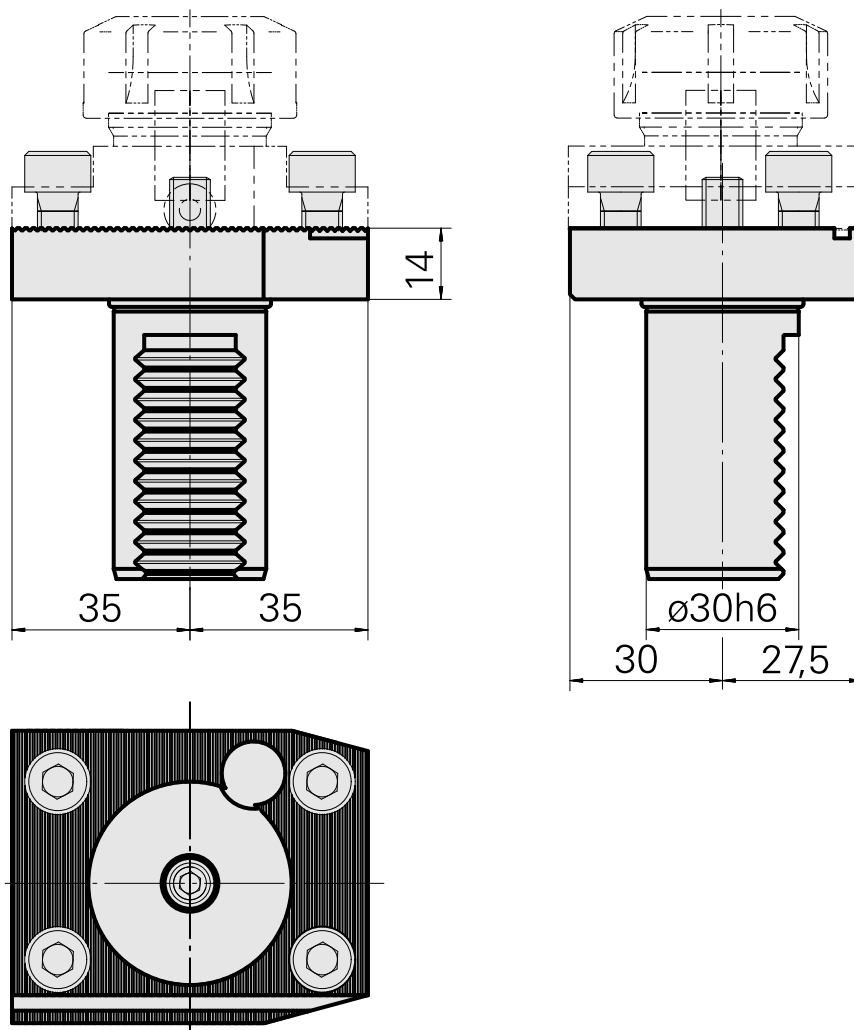
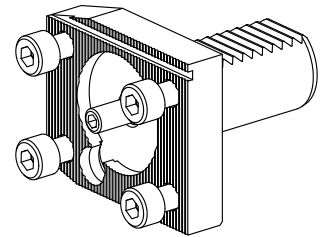


Basic holder VDI 30, vertically adjustable

Technical data

Shank VDI	VDI 30
Drive	not live
Fixation VDI	none
Pressure	20 bar
reversible 180°	no
Data carrier	check tool station bore
X [mm]	14 (0.55")
Y [mm]	–
Z [mm]	–
INDEX TRAUB products	V100 • V200 • V160C • V160G • V300 • TNA300



Documents

No downloads available for this product

Accessories

Optional accessories

Tool holders with VDI shank

[Drill holding block D32 \(1.26 "\)](#)

Product ID : 10193528

Previous product ID : W9990093

Drive not live	Pressure 40 bar	Mounting D32	X [mm] 57 (2.24")
Y [mm] -	Z [mm] -	INDEX TRAUB products C42/65 • G160 • G300 • G400 • TNX80 • V100 • V200 • A200-6 • ABC • C100 • C200 • G200 • G200.2 • G220 • G250 • TNX65/42 • V160C • V160G • V300 • TNA300 • B400 • B500 • TNA500.2 • TNA400.2 • ABC.2 • B400.3 • B500.3 • TNA400.3 • TNA500.3	

[Drill holding block ER25](#)

Product ID : 10374519

Previous product ID : W9990092

Drive not live	Cooling external and internal	Pressure 40 bar	Mounting ER25
X [mm] 30 (1.18")	Y [mm] -	Z [mm] -	INDEX TRAUB products C42/65 • G160 • G300 • G400 • TNX80 • V100 • V200 • A200-6 • ABC • C100 • C200 • G200 • G200.2 • G220 • G250 • TNX65/42 • V160C • V160G • V300 • TNA300 • B400 • B500 • TNA500.2 • TNA400.2 • ABC.2 • B400.3 • B500.3 • TNA400.3 • TNA500.3

Other accessories

[Tube 14er KUGEL, ca 50 lang](#)

Product ID : 10205280

Previous product ID : W63210.2006
