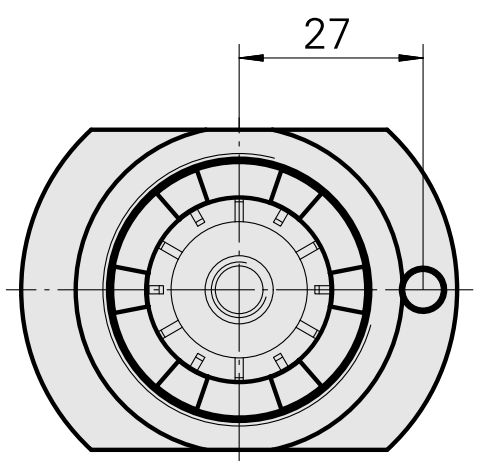
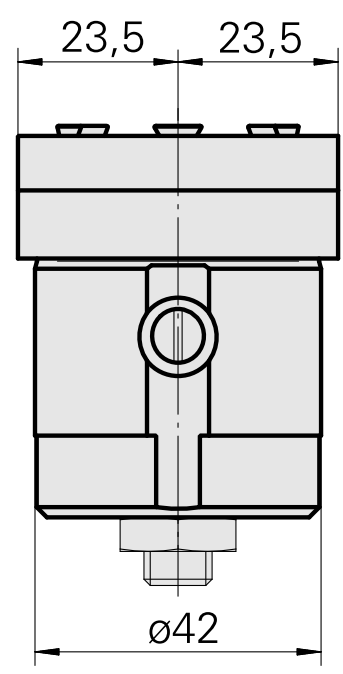
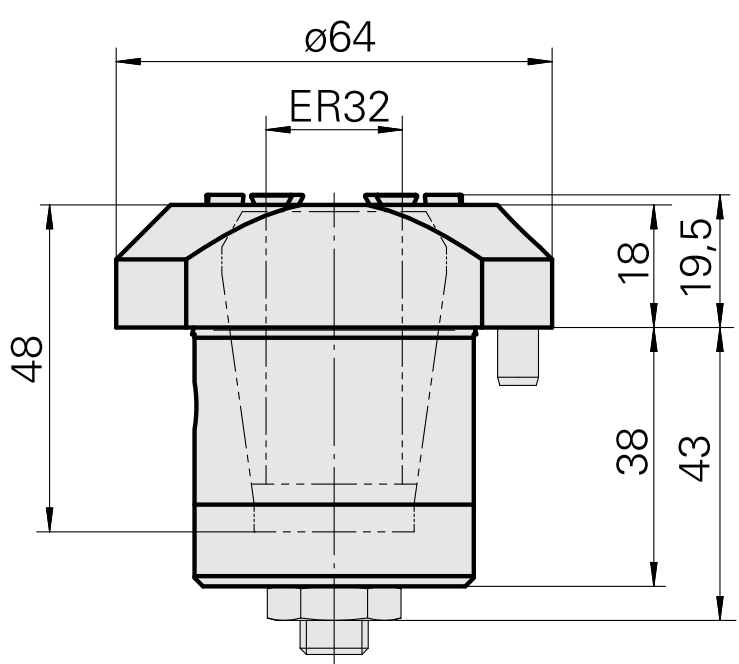
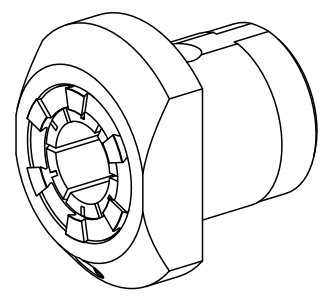


## Drill holding block ER32

### Technical data

Drive	not live
Fixation MS	Shank D42
Mounting	ER32
X [mm]	18 (0.71")
Y [mm]	-
Z [mm]	-
INDEX TRAUB products	MS52C • A200-6 • MS52-6.3



---

## Documents

No downloads available for this product

## Accessories

Required for operation

### [Spanner](#)

Product ID : 10174063

Previous product ID : 325767

TH accessories category Tool	Mounting ER32	Collet type ER 32	Clamping nut type Male thread
Tools for Collet chucks Clamping nut wrench			

## Optional accessories

### Tool holder accessories

### [Clamping nut](#)

Product ID : 10322936

Previous product ID : 325950

TH accessories category Clamping nut	Mounting ER32	Collet type ER 32	Clamping nut type Male thread
---	------------------	----------------------	----------------------------------

### Other accessories

### [Clamping collet](#)

Product ID : 10187712

Previous product ID : 901930.6---

---

### [tapping tool collet ET-1-32](#)

Product ID : 10640099

Previous product ID : 3242--

---

10197173  
W9990312

**INDEX**

---

[tapping tool collet](#)

Product ID : 10601144  
Previous product ID : WZ9990.9509F

---

[Collet chuck](#)

Product ID : 10659178  
Previous product ID : W999068-

---