

## WFB 20-12 D8

### Technical data

TH accessories category

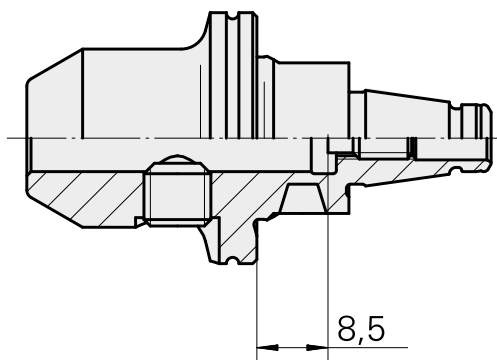
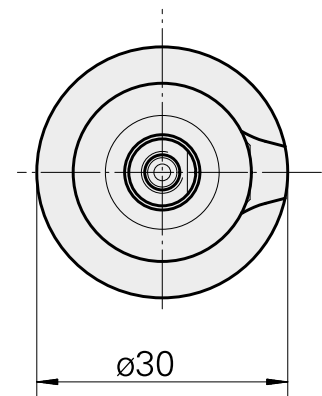
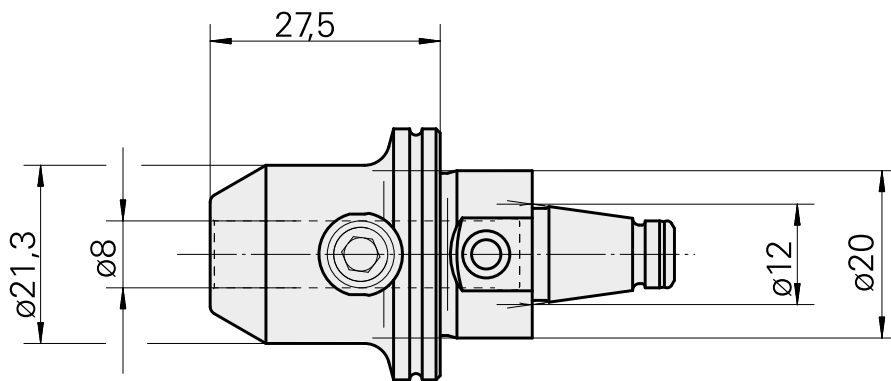
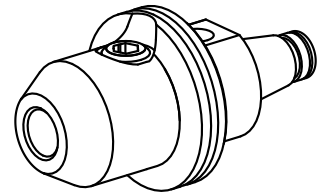
WFB 20-12

Mounting

D8

Quick change inserts

Weldon mounting



## Documents

No downloads available for this product

## Accessories

Optional accessories

### Other accessories

#### [Adjusting screw M 5x10](#)

Product ID : 10674886

Previous product ID : 326793

---

#### [Clamping screw M 8x7,5 \(108AWS\)](#)

Product ID : 10078331

Previous product ID : 326790

---