

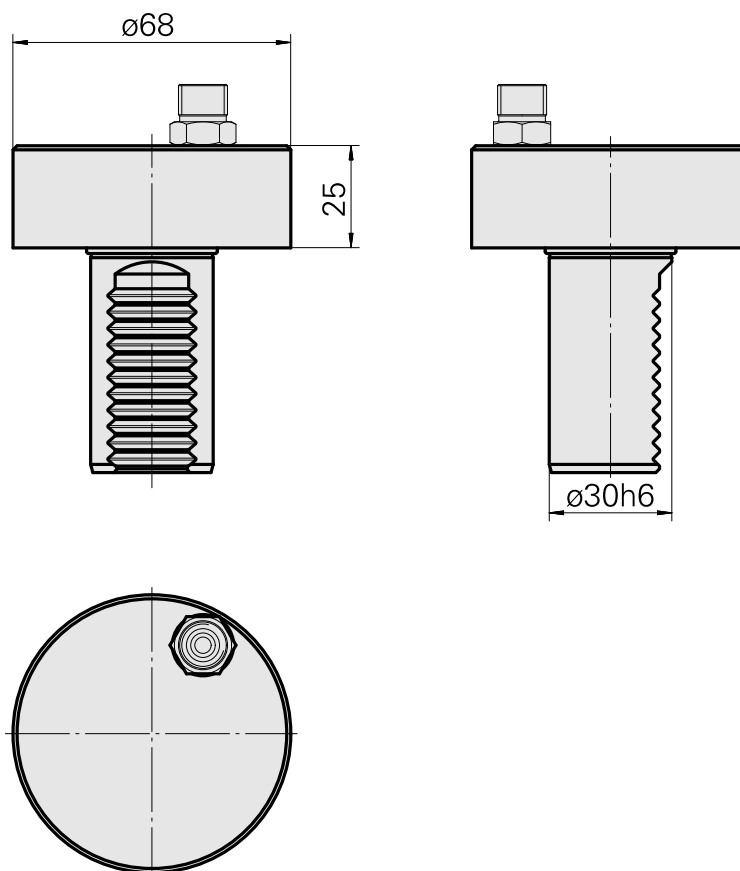
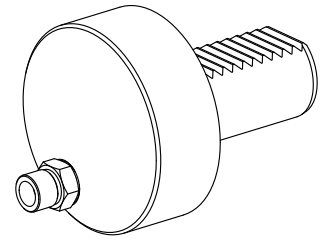
## Flush holder VDI 30

### Technical data

|              |                         |
|--------------|-------------------------|
| Shank VDI    | VDI 30                  |
| Drive        | not live                |
| Fixation VDI | none                    |
| Cooling      | external                |
| Pressure     | 80 bar                  |
| Data carrier | check tool station bore |
| X [mm]       | 25 (0.98")              |
| Y [mm]       | -                       |
| Z [mm]       | -                       |

### INDEX TRAUB products

G160 • G300 • V100 • V200 •  
A200-6 • B400 • C200 • G220  
• G250 • R300 • TNX65/42 •  
V160C • V160G • V300 • TNA300  
• TNA400.2 • G300.2 • G320.2 •  
G220.3 • TNX220.3 • TNX200.3 •  
G200.3 • G320.3 compact • B400.3  
• TNA400.3



## Documents

No downloads available for this product

## Accessories

Optional accessories

### Other accessories

#### [Locking screw](#)

Product ID : 10306095

Previous product ID : 410773.1010

---

#### [Screw cap GE 6-LM-ED/OMD](#)

Product ID : 10877595

Previous product ID : 338090

---