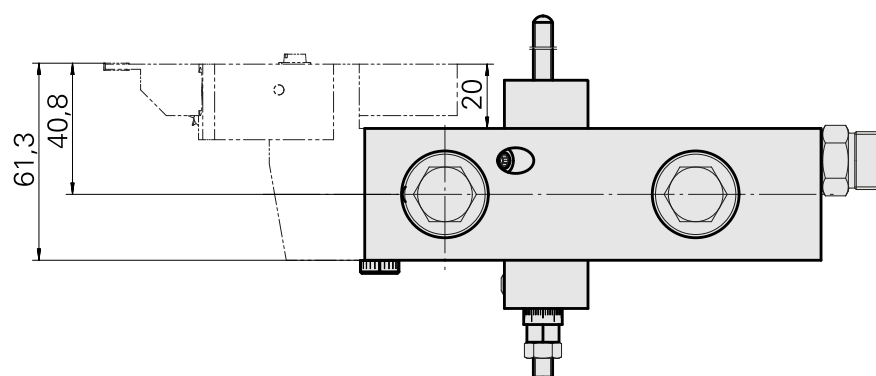
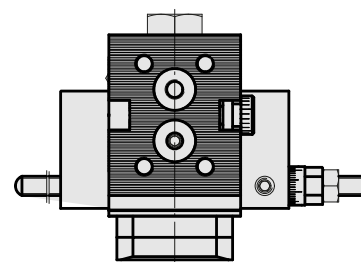
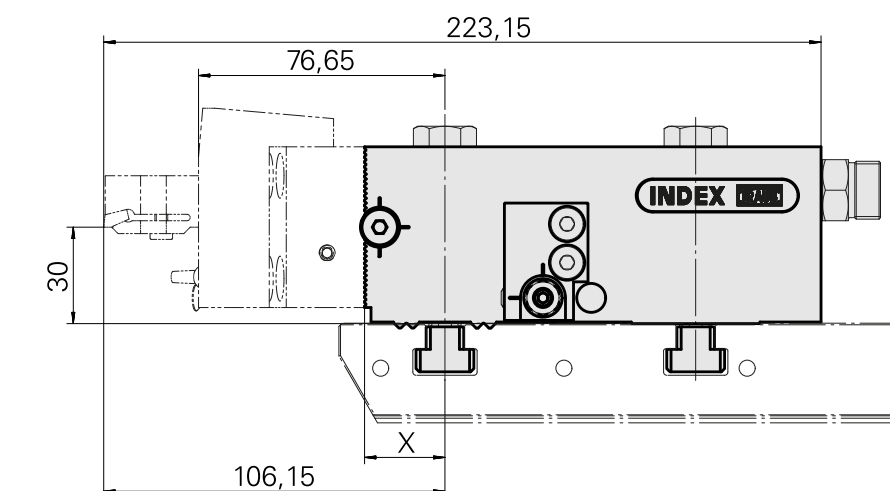
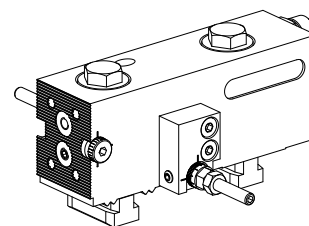


Basic holder MS16 grooving slide

Technical data

Slide system MS	MS16 grooving slide
Drive	not live
Fixation MS	W serration
X [mm]	-
Y [mm]	-
Z [mm]	-
INDEX TRAUB products	MS16-6 • MS16-6 Plus



X	25
---	----

Documents

No downloads available for this product

Accessories

Optional accessories

MS tool holders

[Mount D25](#)

Product ID : 10318042

Previous product ID : W9991025

Drive not live	Cooling external	Pressure 80 bar	Mounting D25
X [mm] 112.6 (4.43")	Y [mm] -	Z [mm] -	INDEX TRAUB products MS16-6 • MS16-6 Plus

[Grooving tool holding block Square 16x16, adjustable in Z direction](#)

Product ID : 11075813

Previous product ID : W9990898

Drive not live	Cooling external	Pressure 80 bar	Direction left-handed run
Mounting Square 16x16	X [mm] -	Y [mm] -	Z [mm] -
INDEX TRAUB products MS16-6 • MS16-6 Plus			

[Grooving tool holding block Square 16x16, adjustable in Z direction](#)

Product ID : 10598610

Previous product ID : W9990897

Drive not live	Cooling external	Pressure 80 bar	Direction right-handed run
Mounting Square 16x16	X [mm] -	Y [mm] -	Z [mm] -
INDEX TRAUB products MS16-6 • MS16-6 Plus			

Other accessories

[EX.SOC.PLUG/4Z-908 VSTI R 1/4-ED](#)

Product ID : 10886676

Previous product ID : 410773.0025

[Adjusting screw M6x0,25](#)

Product ID : 10287476

Previous product ID : W00011.0012

[Stop Feineinstellung; groß](#)

Product ID : 10823911

Previous product ID : W9990754
