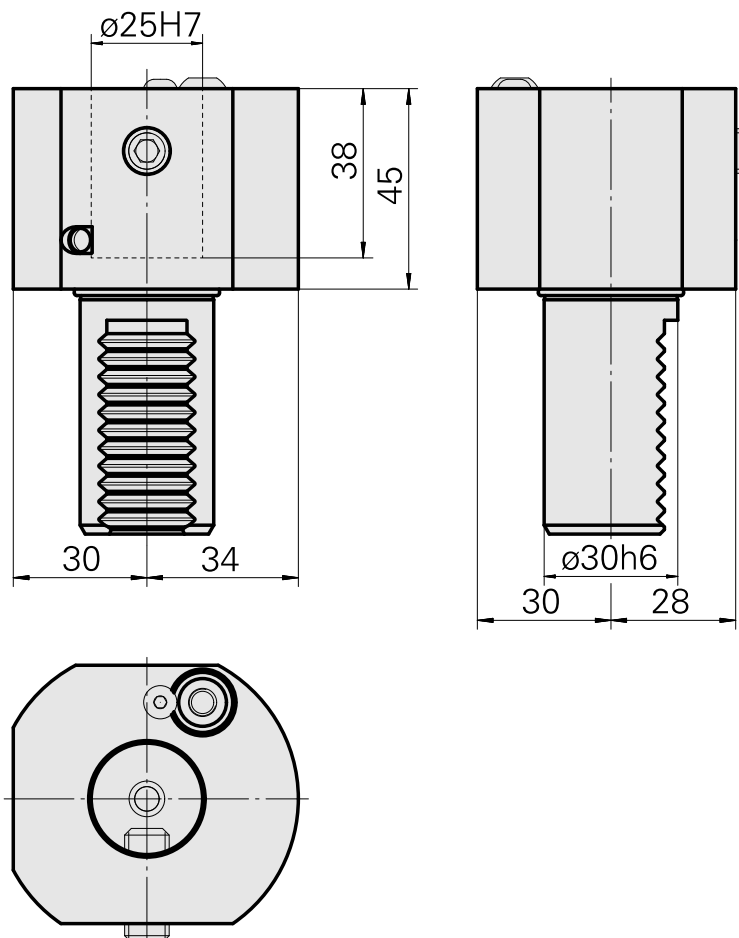
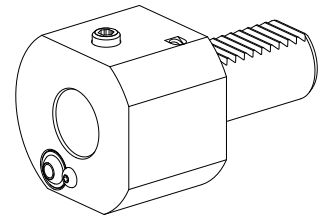


Drilling tool holder VDI 30 D25

Technical data

| | |
|----------------------|--|
| Shank VDI | VDI 30 |
| Drive | not live |
| Fixation VDI | none |
| Cooling | external and internal |
| Pressure | 40 bar |
| Mounting | D25 |
| reversible 180° | no |
| Data carrier | check tool station bore |
| X [mm] | 45 (1.77") |
| Y [mm] | – |
| Z [mm] | – |
| INDEX TRAUB products | V100 • V200 • V160C • V160G • V300 • TNA300 |



Documents

No downloads available for this product

Accessories

Optional accessories

Other accessories

[Clamping sleeve D25](#)

Product ID : 10877092

Previous product ID : 993125.----

[Mounting sleeve with collar D25](#)

Product ID : 10070544

Previous product ID : W62221.41--

[SPRAY NOZZLE 14D/M6](#)

Product ID : 10358770

Previous product ID : 474550.0121

[Lens head screw](#)

Product ID : 10344546

Previous product ID : 410243.0406
