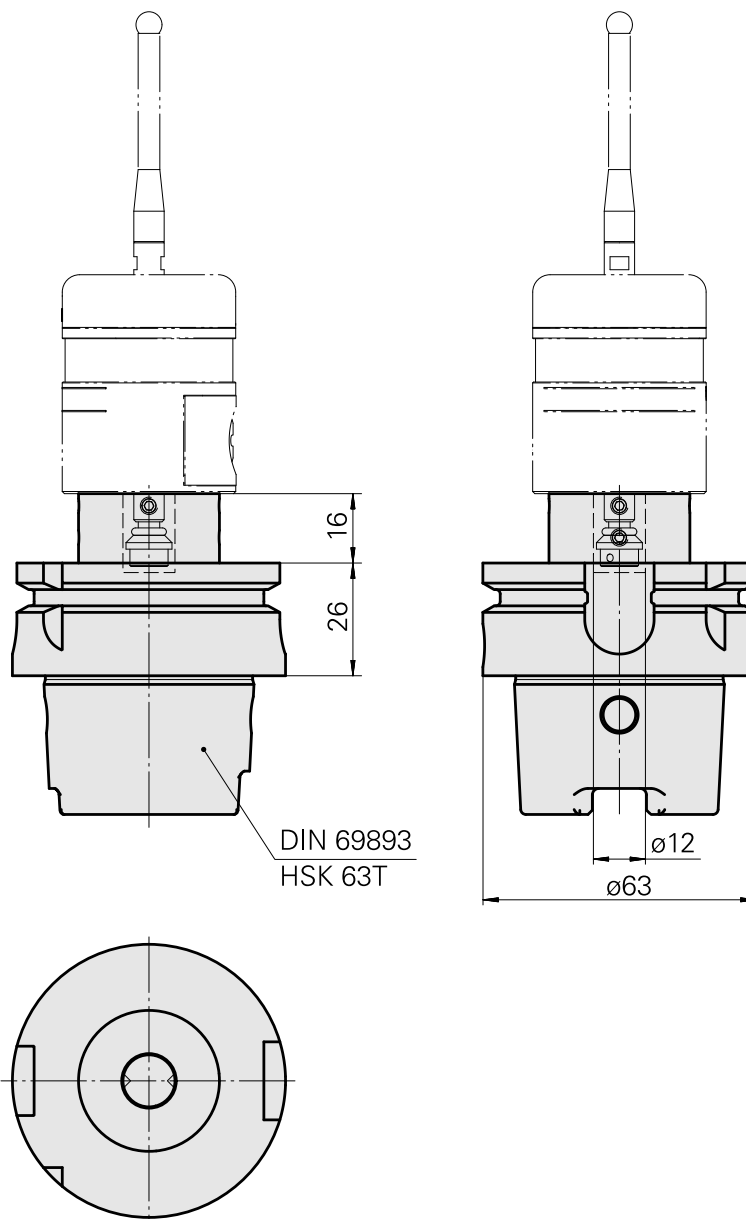
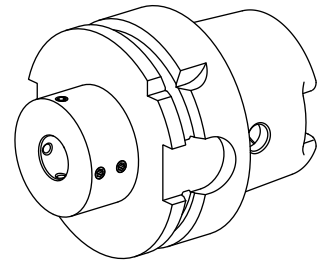


Probe holder HSK 63 T Renishaw D11,2

Technical data

Shank HSK	HSK 63
Form HSK	T
Mounting	Renishaw D11,2
X [mm]	42 (1.65")
Z [mm]	-
INDEX TRAUB products	G220.2



Documents

No downloads available for this product

Accessories

Required for operation

Not defined

Product ID : 12133465

Previous product ID :

Push-button insert

Product ID : 12133466

Previous product ID :

Probe

Product ID : 10338967

Previous product ID : 487542.1441

Optional accessories

Tool holder accessories

Socket wrench

Product ID : 10352082

Previous product ID : WS7800.0010

TH accessories
category
Tool for KSS adapter

Mounting
HSK 63 A/C

[Coolant adapter kit HSK-A63](#)

Product ID : 11074450

Previous product ID : WS7800.0020

TH accessories
category
Cooling lubricant
transfer set

Mounting
HSK 63 A/C

Other accessories

[Case A-2033-7001](#)

Product ID : 10259626

Previous product ID : 487542.0911
