

## Adaptor

### Technical data

TH accessories category

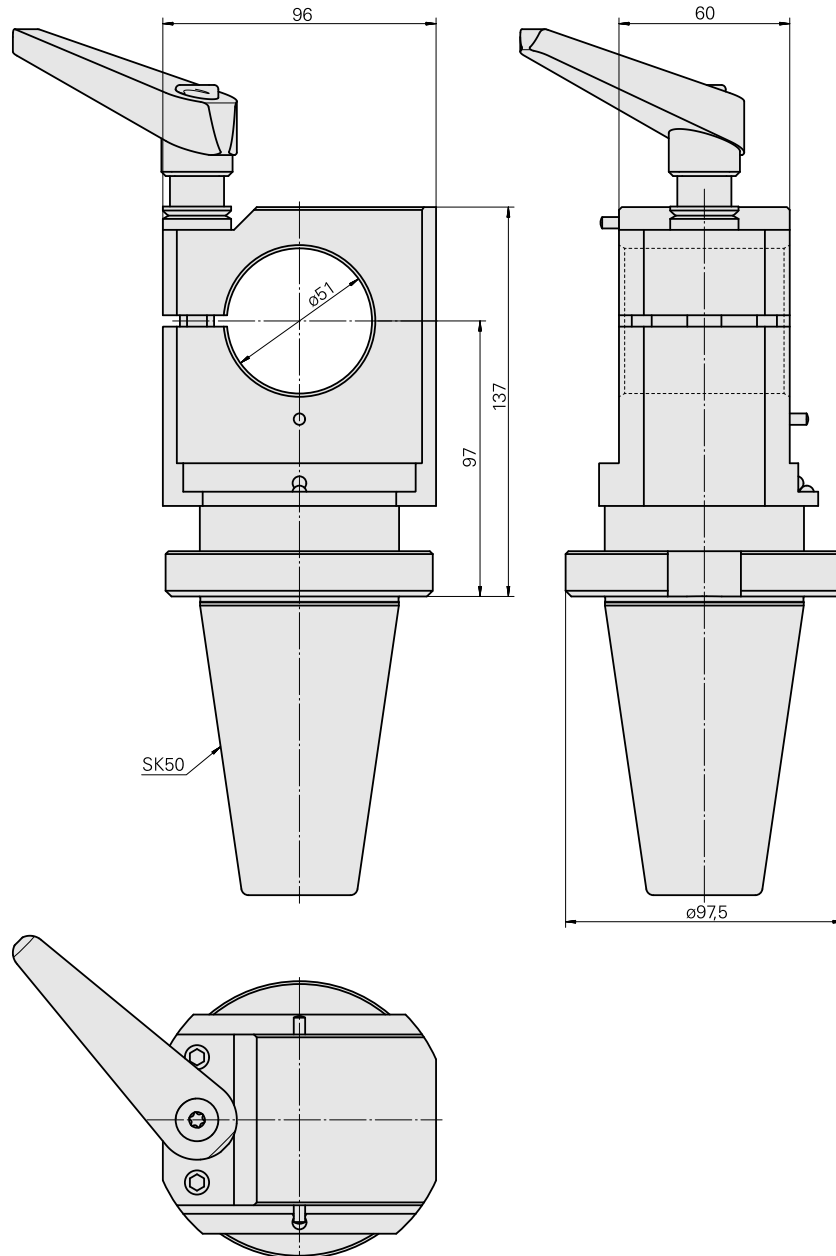
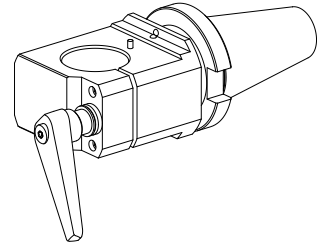
Adapter for presetting units

Mounting

SK50

Tool mounting

Pinole D51



## **Documents**

No downloads available for this product