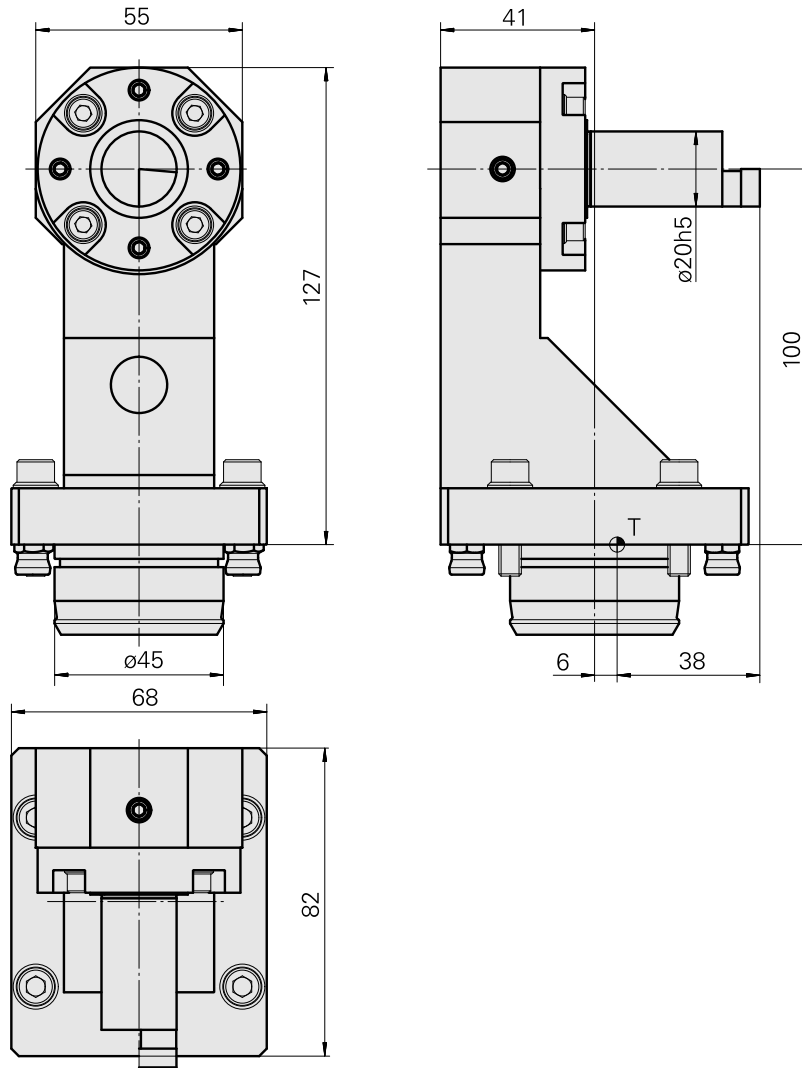


## Setting tool holder KPS 45

### Technical data

Shank KPS	KPS 45
Drive	not live
reversible 180°	yes
X [mm]	100 (3.94")
Y [mm]	0
Z [mm]	44 (1.73)
INDEX TRAUB products	TNL20 • TNL20-11 • TNL20-9 • TNL20-9B • TNK40.2-10 • TNL32 • TNL32 compact • TNL32-11 • TNL32-11 compact • TNL20.2 • TNK40.2



## **Documents**

No downloads available for this product