

## Presetting device

### Technical features

TH accessories category

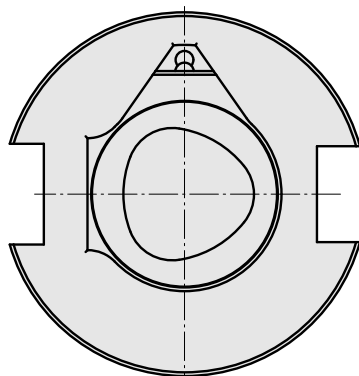
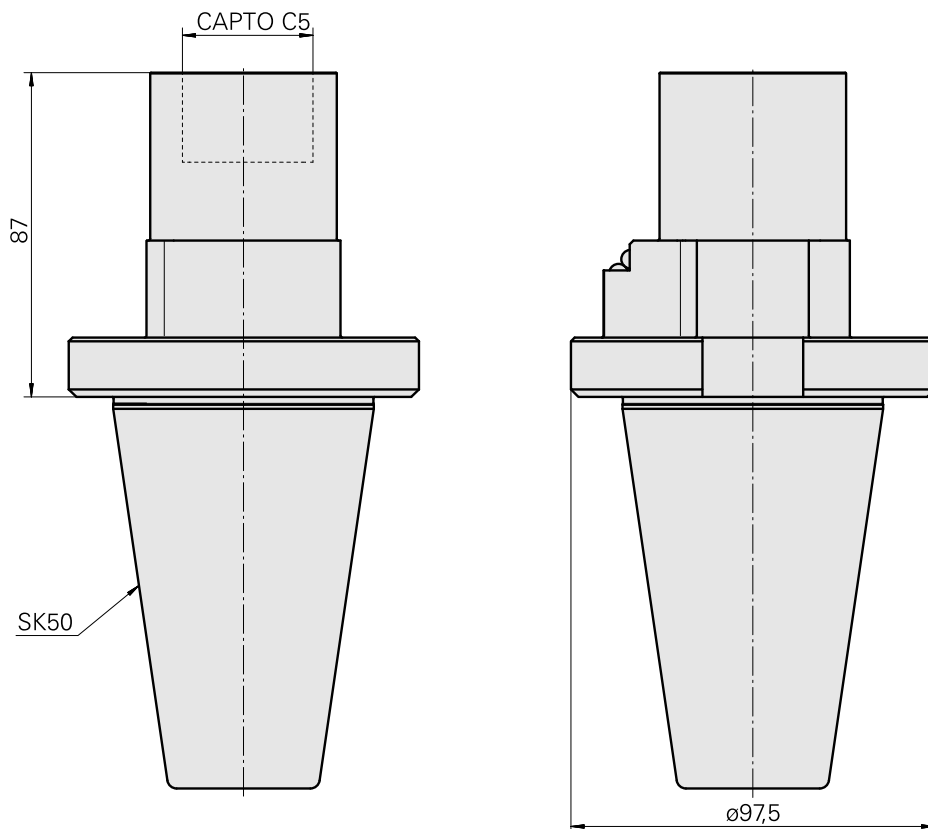
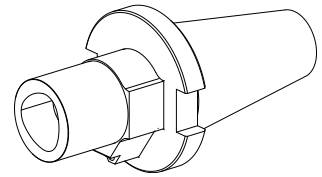
Adapter for presetting units

Mounting

SK50

Tool mounting

INDEX CAPTO C5



## **Documents**

No downloads available for this product