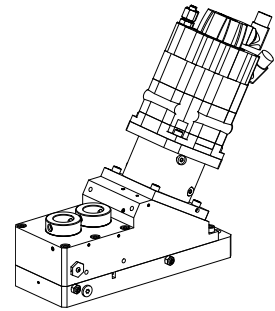


## Back end unit MS52 1:1 WFB 32-20, fluid-cooled drive

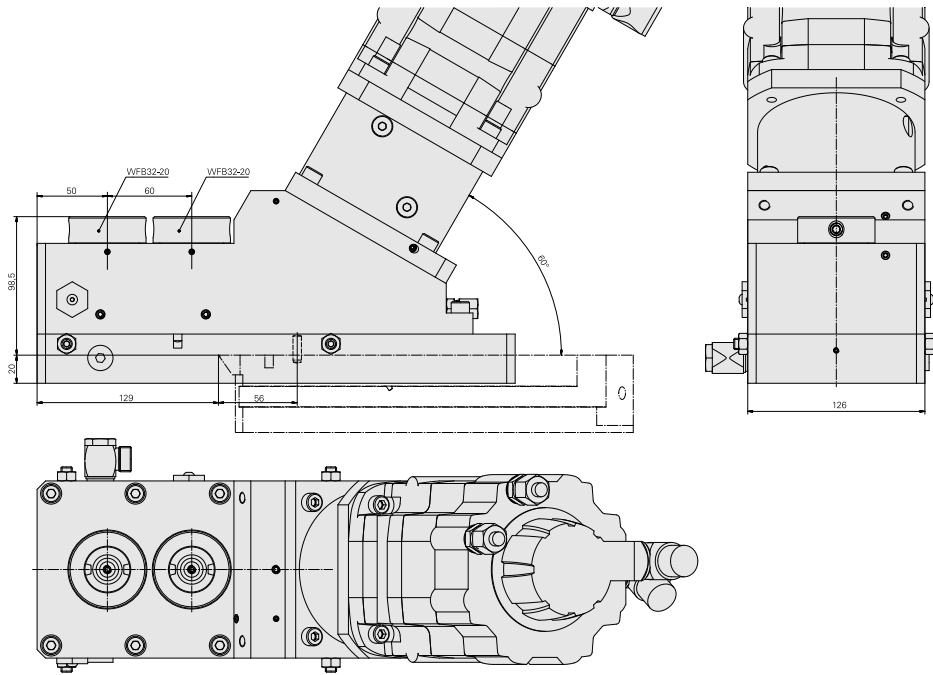
### Technical data

|                      |                  |
|----------------------|------------------|
| Slide system MS      | MS52             |
| Drive                | Direct drive     |
| Fixation MS          | Splined key/pin  |
| Speed ratio          | 1:1              |
| Cooling              | internal         |
| Mounting             | WFB 32-20        |
| X [mm]               | –                |
| Y [mm]               | –                |
| Z [mm]               | –                |
| INDEX TRAUB products | MS52C • MS52-6.3 |



### Note

Can be used only in positions X.3! The unit must be connected to a central lubrication system! The unit may only be used in combination with any of the specified motors and the corresponding UNIT!  
 Motor (AC), 10 Nm – 12107824 (Siemens 1FT7062-5WK74-1NK2) included. UNIT 154



## Documents

### Product notes

[DE \(pdf\)](#)

[EN \(pdf\)](#)

[FR \(pdf\)](#)

[PT \(pdf\)](#)

[EN \(pdf\)](#)

[DE \(pdf\)](#)

[FR \(pdf\)](#)

## Accessories

Required for operation

### [Assembly parts](#)

Product ID : 10826974

Previous product ID : W00031.0002

---

### [Cable kit, 5m im Arbeitsraum](#)

Product ID : 10912003

Previous product ID : GM5702.9055

---

Optional accessories

### Other accessories

#### [Shrink WFB 32-20 adapter](#)

Product ID : 10726868

Previous product ID : WZ9990.3206F

---

#### [Adapter WFB 32-20 Weldon](#)

Product ID : 10305353

Previous product ID : WZ9990.3207F

---

[Adapter WFB 32-20 with collet mounting](#)

Product ID : 10298507

Previous product ID : WZ9990.3208F

---

[adapter WFB 32-20 mill arbor mounting](#)

Product ID : 10640736

Previous product ID : WZ9990.3209F

---

[WFB hydr. expansion mounting](#)

Product ID : 10946690

Previous product ID : WZ9990.3210F

---

[Grub screw M10x1x11](#)

Product ID : 10165359

Previous product ID : 326057

---