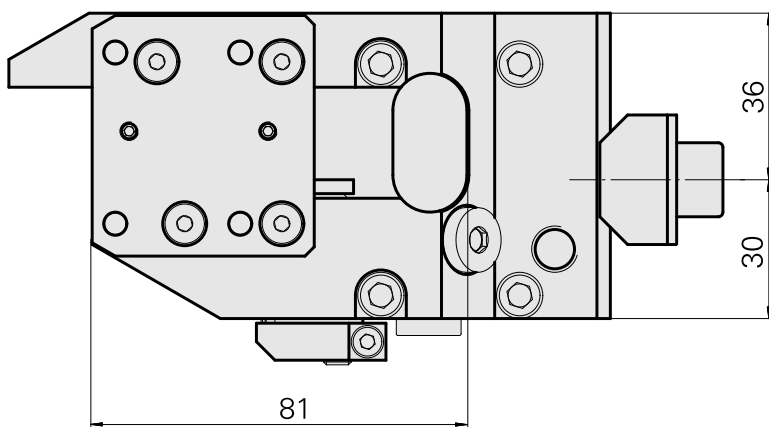
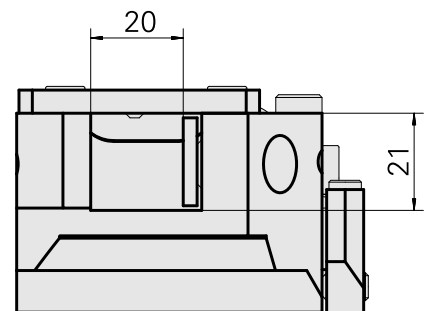
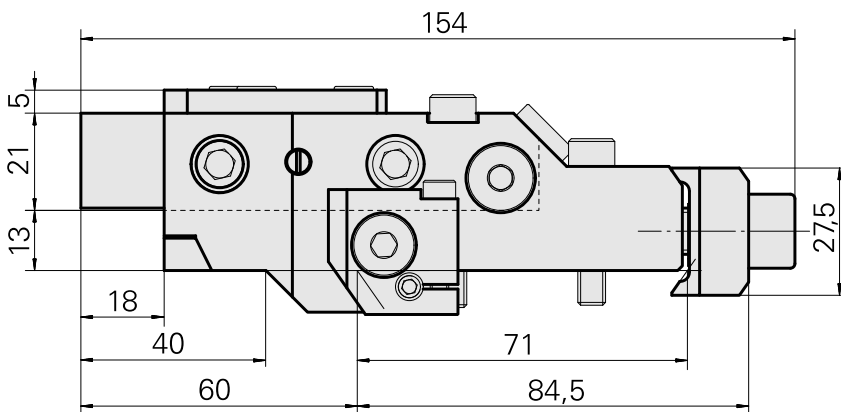


Turning tool holder (G)

Technical data

Slide system MS	MS16/MS22
Drive	not live
Fixation MS	Dovetail
Cooling	external
Pressure	20 bar
Direction	right-handed run
Mounting	Square 20x20
X [mm]	60 (2.36")
Y [mm]	-
Z [mm]	13 (0.51)
INDEX TRAUB products	A100 • MS22-6 • MS22-8 • MS24-6 • MS24-8



Documents

No downloads available for this product

Accessories

Optional accessories

Tool holder accessories

[Plate, height 4 mm \(0.15"\)](#)

Product ID : 10508297

Previous product ID : W9990082

TH accessories
category
Compensation plate

Mounting
Square 20x20