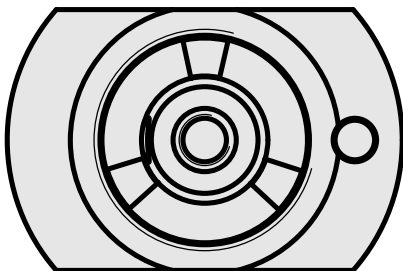
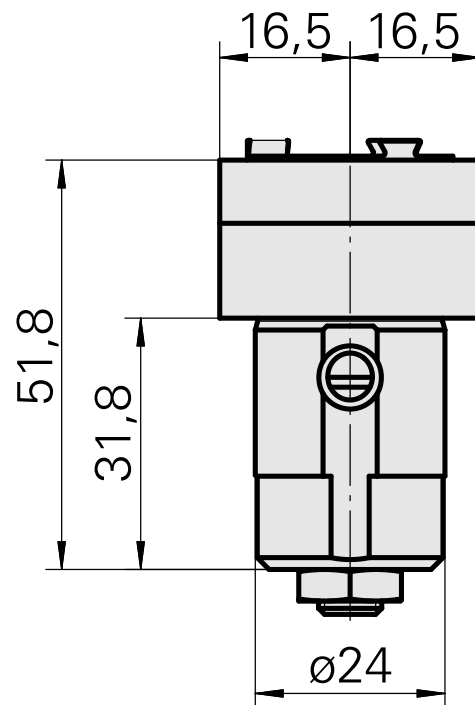
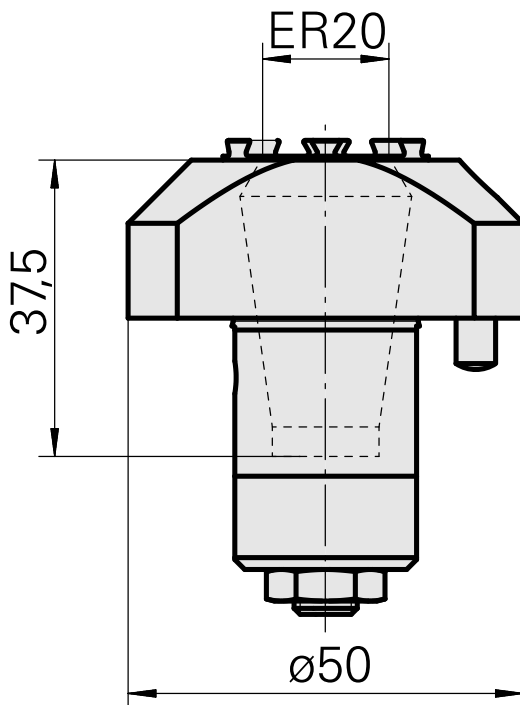
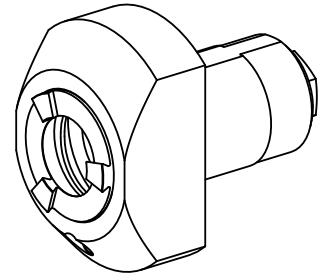


Drill holding block ER20

Technical data

Drive	not live
Fixation MS	Shank D24
Mounting	ER20
X [mm]	20 (0.79")
Y [mm]	-
Z [mm]	-
INDEX TRAUB products	MS32-6.2 • MS40-6 • MS40-8 • MS32-6.3 • MS32C



Documents

No downloads available for this product

Accessories

Required for operation

[Spanner](#)

Product ID : 10085639

Previous product ID : 490219.3201

TH accessories category Tool	Mounting ER20	Collet type ER 20	Clamping nut type Male thread
Tools for Collet chucks Clamping nut wrench			

Optional accessories

Tool holder accessories

[Clamping nut](#)

Product ID : 10566942

Previous product ID : 901939.5201

TH accessories category Clamping nut	Mounting ER20	Collet type ER 20	Clamping nut type Male thread
-----------------------------------------	------------------	----------------------	----------------------------------

Other accessories

[Clamping collet](#)

Product ID : 10863981

Previous product ID : 901930.2---

[tapping tool collet ET-1-20](#)

Product ID : 10418139

Previous product ID : 3234--

Collet chuck

Product ID : 10135002

Previous product ID : W999066-
