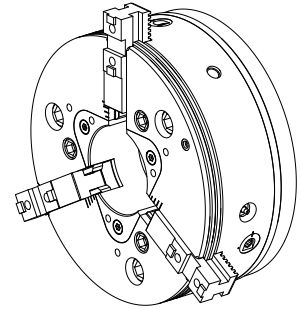


3-jaw chuck

Technical data

| | |
|----------------------------------|---------------------------------|
| INDEX TRAUB products | G420 • G400.2 • G300.2 • G320.2 |
| Spindle clearance | 102mm |
| Machining side | Main spindle • Counter spindle |
| manufacturer product line | ROTA THW PLUS 315-104 A8 |
| Spindle mounting | KK 8 |
| Clamping device size | 315 |
| manufacturer product line | Schunk |



No 3-side view is currently available for this product

Documents

No downloads available for this product