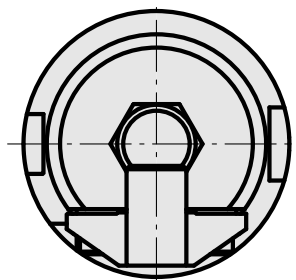
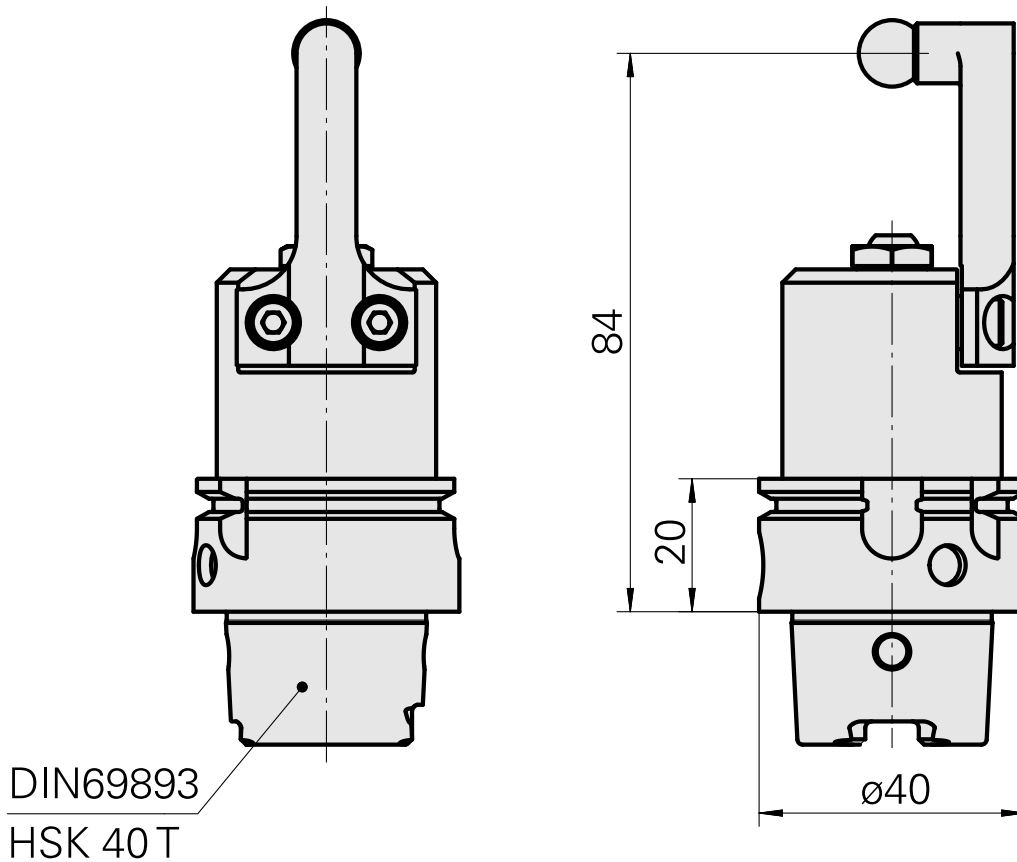
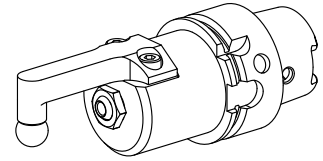


Reference holder HSK 40 T

Technical data

Shank HSK	HSK 40
Form HSK	T
Cooling	external
Pressure	80 bar
X [mm]	—
INDEX TRAUB products	G200.2 • G220 • G220.3 • TNX220.3



Documents

No downloads available for this product

Accessories

Required for operation

[Socket wrench](#)

Product ID : 10532354

Previous product ID : WS7400.0010

TH accessories
category
Tool for KSS adapter

Mounting
HSK 40 A/C

Optional accessories

Tool holder accessories

[Coolant adapter kit](#)

Product ID : 10581780

Previous product ID : WS7400.0020

TH accessories
category
Cooling lubricant
transfer set

Mounting
HSK 40 A/C