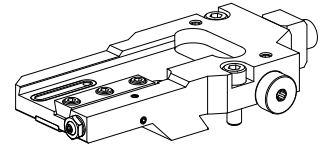


Grooving tool and stop holder MS32/MS40

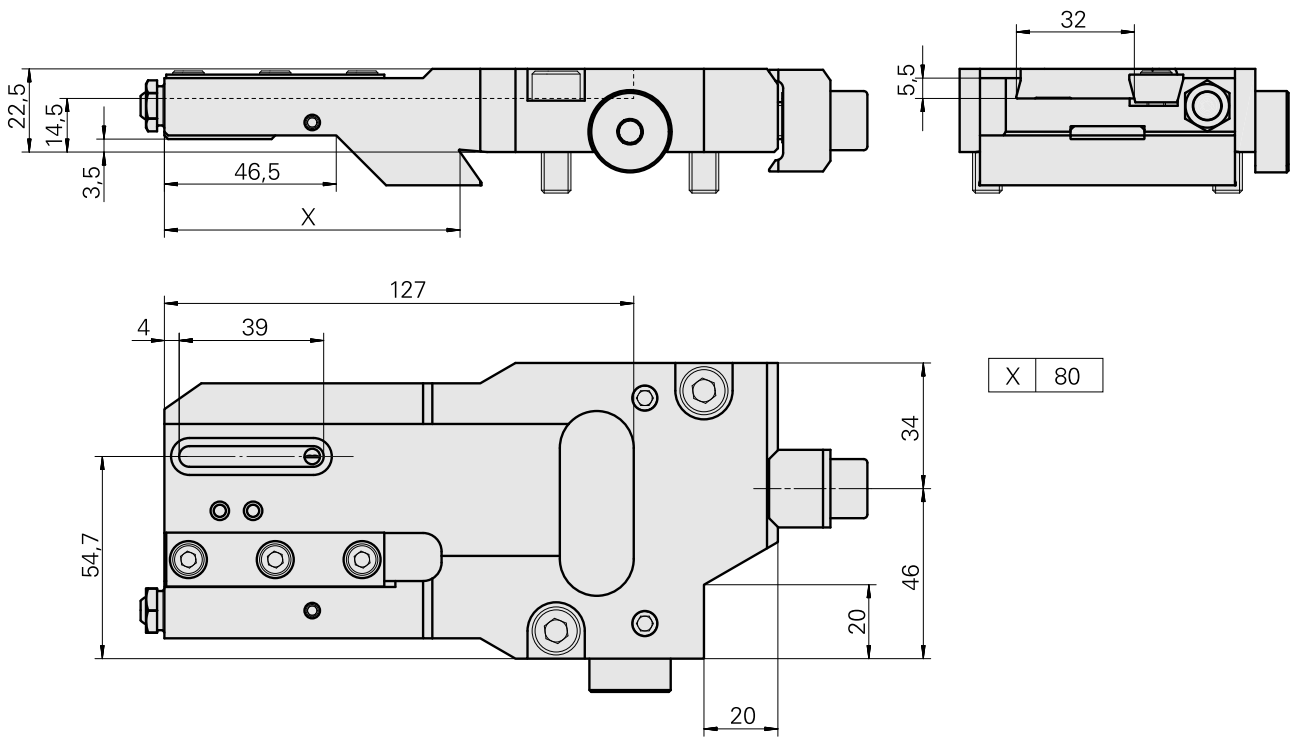
Technical data

| | |
|-----------------------------|-----------------------|
| Slide system MS | MS32/MS40 |
| Drive | not live |
| Fixation MS | Dovetail |
| Cooling | external and internal |
| Pressure | 80 bar |
| Direction | right-handed run |
| Mounting | Trapezoid 32x8 |
| X [mm] | 80 (3.15") |
| Y [mm] | – |
| Z [mm] | 14.5 (0.57) |
| INDEX TRAUB products | MS40-8 |



Note

Can be used only in position 8.2!



Documents

No downloads available for this product

Accessories

Required for operation

[Bush 4x8x12](#)

Product ID : 10831938

Previous product ID : W02010.0002

[Hollow screw M12x1](#)

Product ID : 10757766

Previous product ID : W02013.0001

[Ball nozzle D8xM5](#)

Product ID : 10392450

Previous product ID : W02019.0002

Optional accessories

Other accessories

[Stop plate](#)

Product ID : 10217059

Previous product ID : W00019.0064

[Countersunk screw M 4x 8/T20 verzinkt 402314 8](#)

Product ID : 10586100

Previous product ID : 410362.0408
