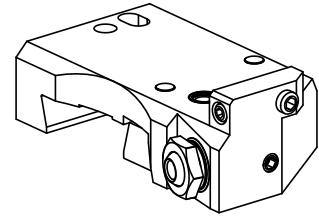


Grooving tool holding block Trapezoid 26

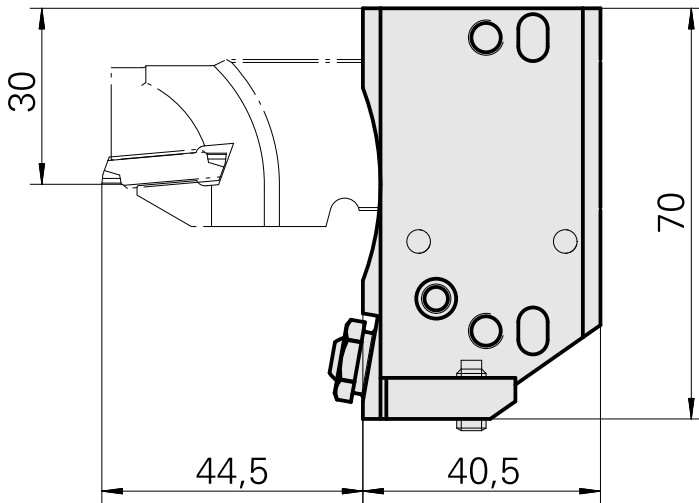
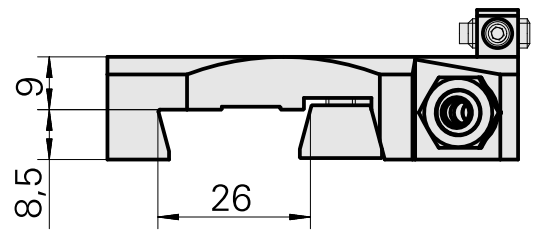
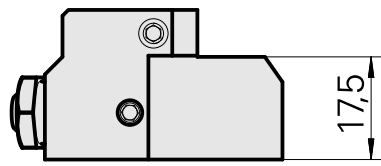
Technical data

Drive	not live
Cooling	external
Pressure	80 bar
Direction	right-handed run
Mounting	Trapezoid 26x8
X [mm]	40.5 (1.59")
Y [mm]	–
Z [mm]	9 (0.35)
INDEX TRAUB products	MS16-6 • MS16-6 Plus



Note

Specially for left cutoff blades!



Documents

No downloads available for this product

Accessories

Optional accessories

Other accessories

[Bush 4x8x12](#)

Product ID : 10831938

Previous product ID : W02010.0002

[Hollow screw M12x1](#)

Product ID : 10757766

Previous product ID : W02013.0001

[Ball nozzle D8xM5](#)

Product ID : 10392450

Previous product ID : W02019.0002
