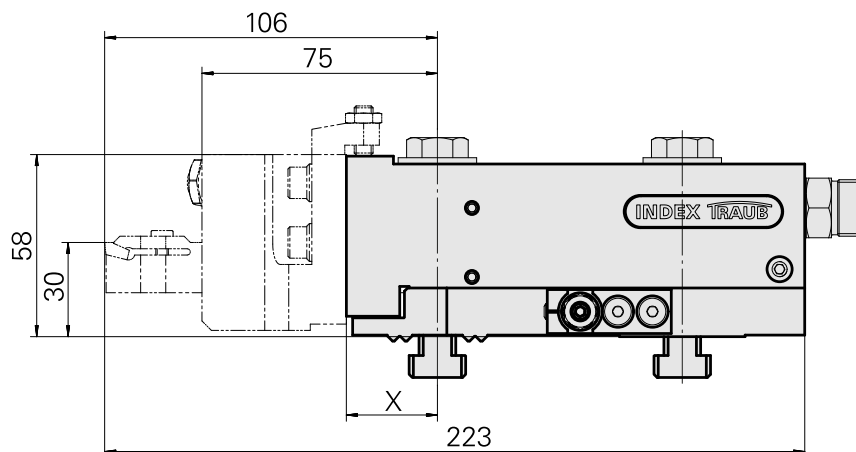
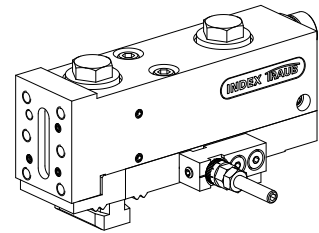


Basic holder MS16 grooving slide, angle-adjustable

Technical data

Slide system MS	MS16 grooving slide
Drive	not live
Fixation MS	W serration
Cooling	external
Pressure	80 bar
X [mm]	29 (1.14")
Y [mm]	–
Z [mm]	–
INDEX TRAUB products	MS16-6 • MS16-6 Plus



X	29
---	----

Documents

Product notes

[DE \(pdf\)](#)

[EN \(pdf\)](#)

[FR \(pdf\)](#)

[PT \(pdf\)](#)

Accessories

Optional accessories

MS tool holders

[Grooving tool holding block Square 16x16, adjustable in Y direction](#)

Product ID : 10320028

Previous product ID : W9990722

Drive not live	Cooling external	Pressure 80 bar	Direction left-handed run
Mounting Square 16x16	X [mm] 46 (1.81")	Y [mm] -	Z [mm] 22 (0.87)
INDEX TRAUB products MS16-6 • MS16-6 Plus			

[Grooving tool holding block Square 16x16, adjustable in Y direction](#)

Product ID : 10600943

Previous product ID : W9990723

Drive not live	Cooling external	Pressure 80 bar	Direction right-handed run
Mounting Square 16x16	X [mm] 46 (1.81")	Y [mm] -	Z [mm] 22 (0.87)
INDEX TRAUB products MS16-6 • MS16-6 Plus			

Other accessories

11082821
W5150006

INDEX

EX.SOC.PLUG/4Z-908 VSTI R 1/4-ED

Product ID : 10886676
Previous product ID : 410773.0025

Stop Feineinstellung; klein

Product ID : 10786502
Previous product ID : W9990769
