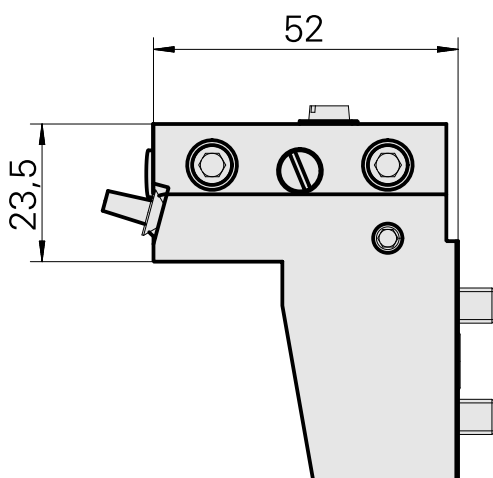
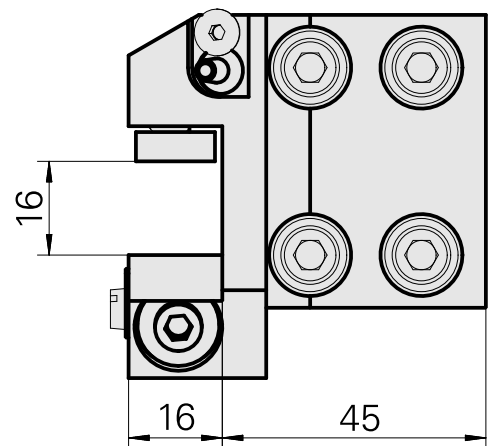
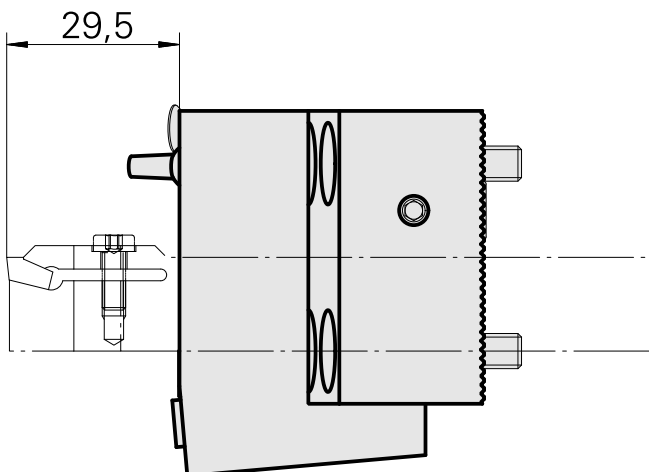
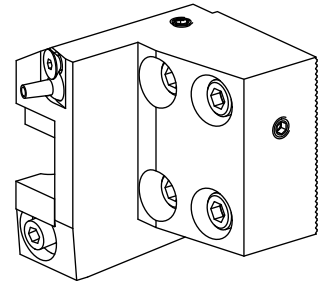


Grooving tool holding block Square 16x16, adjustable in Z direction

Technical data

Drive	not live
Cooling	external
Pressure	80 bar
Direction	left-handed run
Mounting	Square 16x16
X [mm]	–
Y [mm]	–
Z [mm]	–
INDEX TRAUB products	MS16-6 • MS16-6 Plus



Documents

No downloads available for this product

Accessories

Optional accessories

Other accessories

[Ball nozzle D8xM5](#)

Product ID : 10392450

Previous product ID : W02019.0002

[Nozzle Kugel-D8](#)

Product ID : 10007891

Previous product ID : 904837

[Countersunk screw M 4x 8/T20 verzinkt 402314 8](#)

Product ID : 10586100

Previous product ID : 410362.0408
