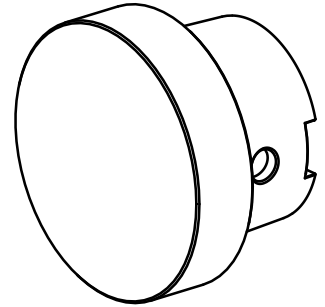

Blanking plug HSK 40 A

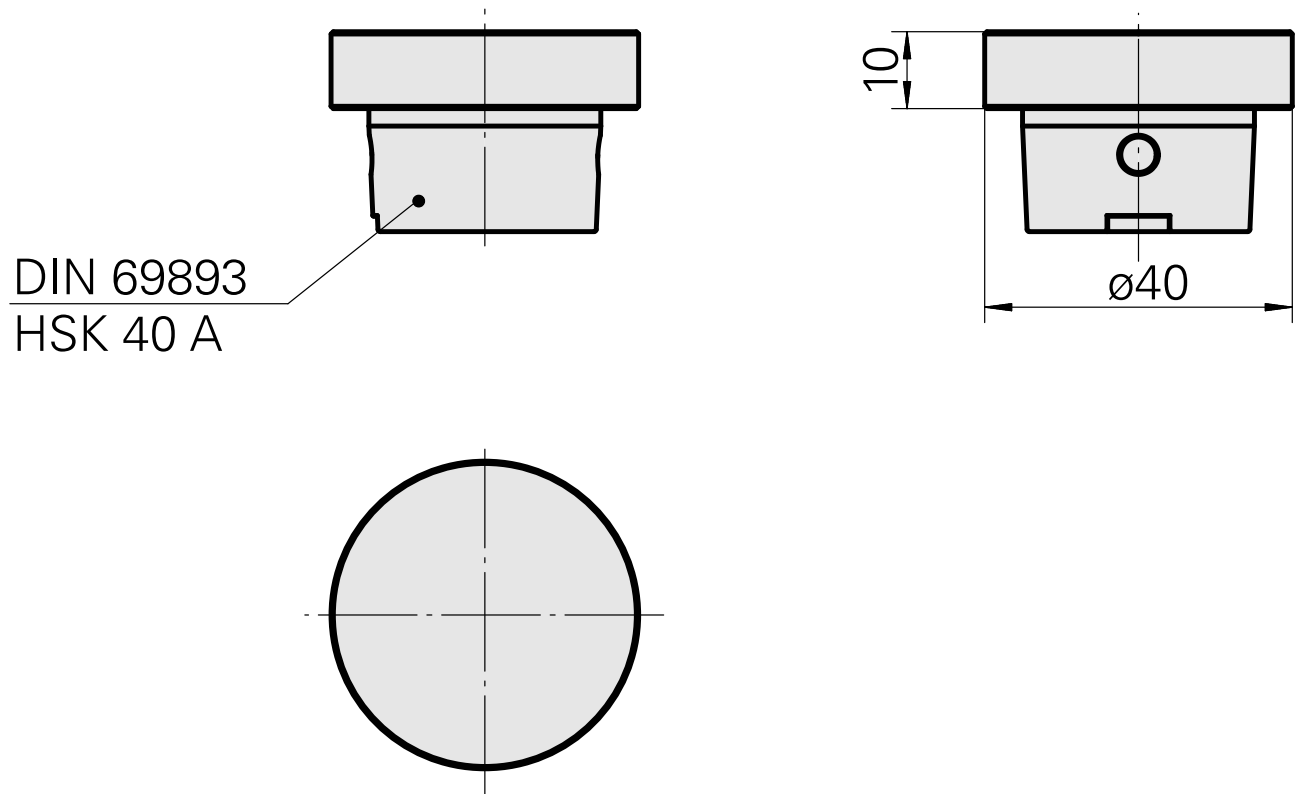
Technical data

Shank HSK	HSK 40
Form HSK	A
X [mm]	10 (0.39")
INDEX TRAUB products	G160 • V100 • G200.2 • G220 • R200 • G220.3 • TNX220.3



Note

No rotation permitted!



Documents

No downloads available for this product