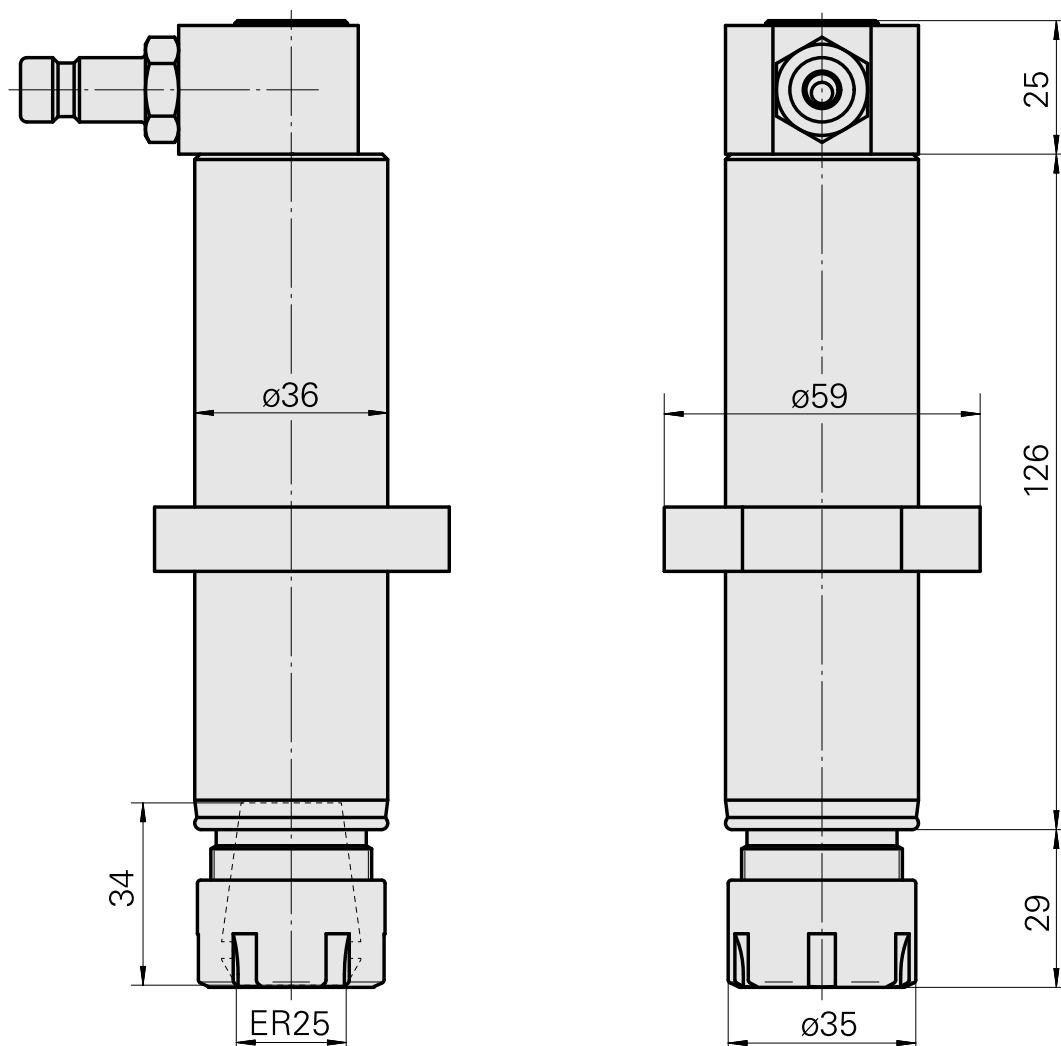
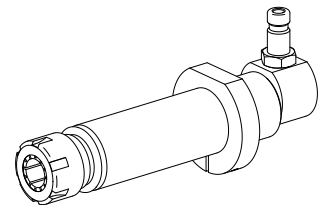


Drilling tool holder ER25

Technical data

| | |
|----------------------|--|
| Drive | not live |
| Fixation MS | Clamping ring D36 |
| Cooling | internal |
| Pressure | 80 bar |
| Mounting | ER25 |
| X [mm] | - |
| Y [mm] | - |
| Z [mm] | - |
| INDEX TRAUB products | MS32C • MS52C • MS32-6.2 • MS40-6 • MS40-8 • MS52-6.3 • MS32-6.3 |



Documents

No downloads available for this product

Accessories

Required for operation

[Spanner](#)

Product ID : 10408249

Previous product ID : 490219.2251

| | | | |
|--|------------------|----------------------|--|
| TH accessories category Tool | Mounting ER25 | Collet type ER 25 | Clamping nut type Female thread diameter reduced |
| Tools for Collet chucks Clamping nut wrench | | | |

Optional accessories

Tool holder accessories

[Clamping nut](#)

Product ID : 10861535

Previous product ID : 901939.2251

| | | | |
|---|------------------|----------------------|--|
| TH accessories category Clamping nut | Mounting ER25 | Collet type ER 25 | Clamping nut type Female thread diameter reduced |
|---|------------------|----------------------|--|

Other accessories

[Clamping collet](#)

Product ID : 10206464

Previous product ID : 901930.3---

[tapping tool collet ET-1-25](#)

Product ID : 10191234

Previous product ID : 3224--

11036224
W5190078

INDEX

[tapping tool collet](#)

Product ID : 10256515
Previous product ID : WZ9990.9507F

[Collet chuck](#)

Product ID : 10029756
Previous product ID : W999067-

[QUICK COUPLING SP-006-0-WR513-11-2 Serie LP](#)

Product ID : 10837142
Previous product ID : 474940.0112

[QUICK DISCONNECT FITTING SP-006-1-WR013-11 Serie LP](#)

Product ID : 10186287
Previous product ID : 474946.25
