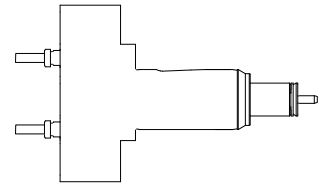


Drilling tool holder Shank 40 D20 (0.79, triple)

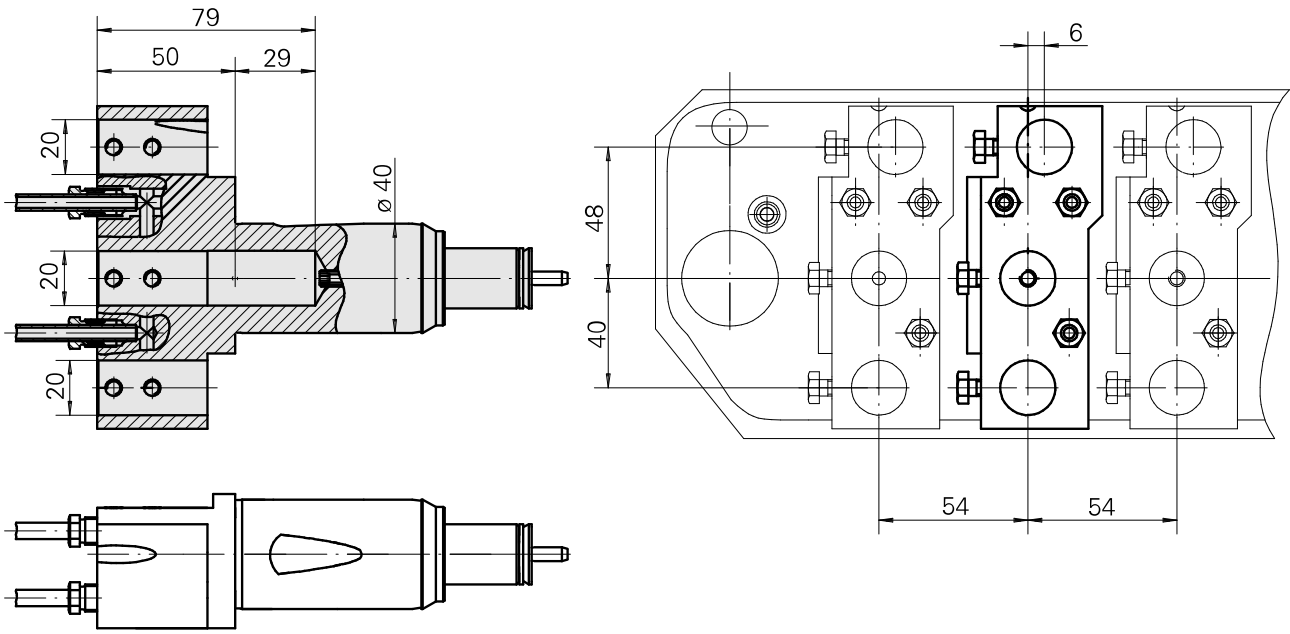
Technical data

| | |
|-----------------------------|---------------|
| Shank TNL | Shank 40 |
| Drive | not live |
| Cooling | external |
| Pressure | 120 bar |
| Mounting | D20 |
| INDEX TRAUB products | TNK36 • TNL26 |



Note

Can only be used on stations 2-4 of the back working unit with a Y axis!
Internal high-pressure coolant supply only available for the center mounting.



Documents

No downloads available for this product

Accessories

Optional accessories

Other accessories

[Mounting sleeve with collar D20](#)

Product ID : 10063939

Previous product ID : W68510.04--
