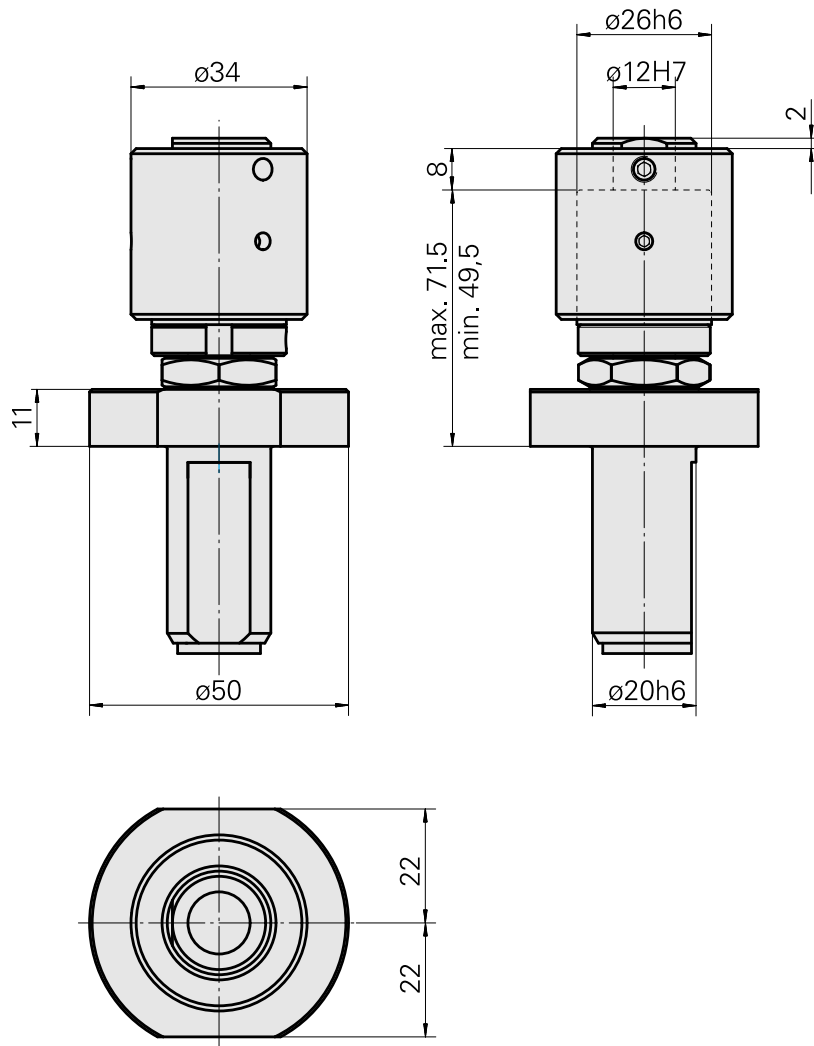
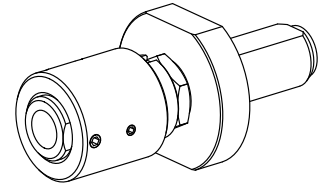


## Bar stop VDI 20, adjustable, live

### Technical features

Shank VDI	VDI 20
Drive	not live
Fixation VDI	none
reversible 180°	no
X [mm]	49.5 - 71.5 (1.95" - 2.81")
Y [mm]	-
Z [mm]	-
Tool turret type	Radial turret
INDEX TRAUB products	C42/65 • G160 • ABC • C100 • C200 • G200 • G200.2 • G220 • ABC.2



## **Documents**

No downloads available for this product