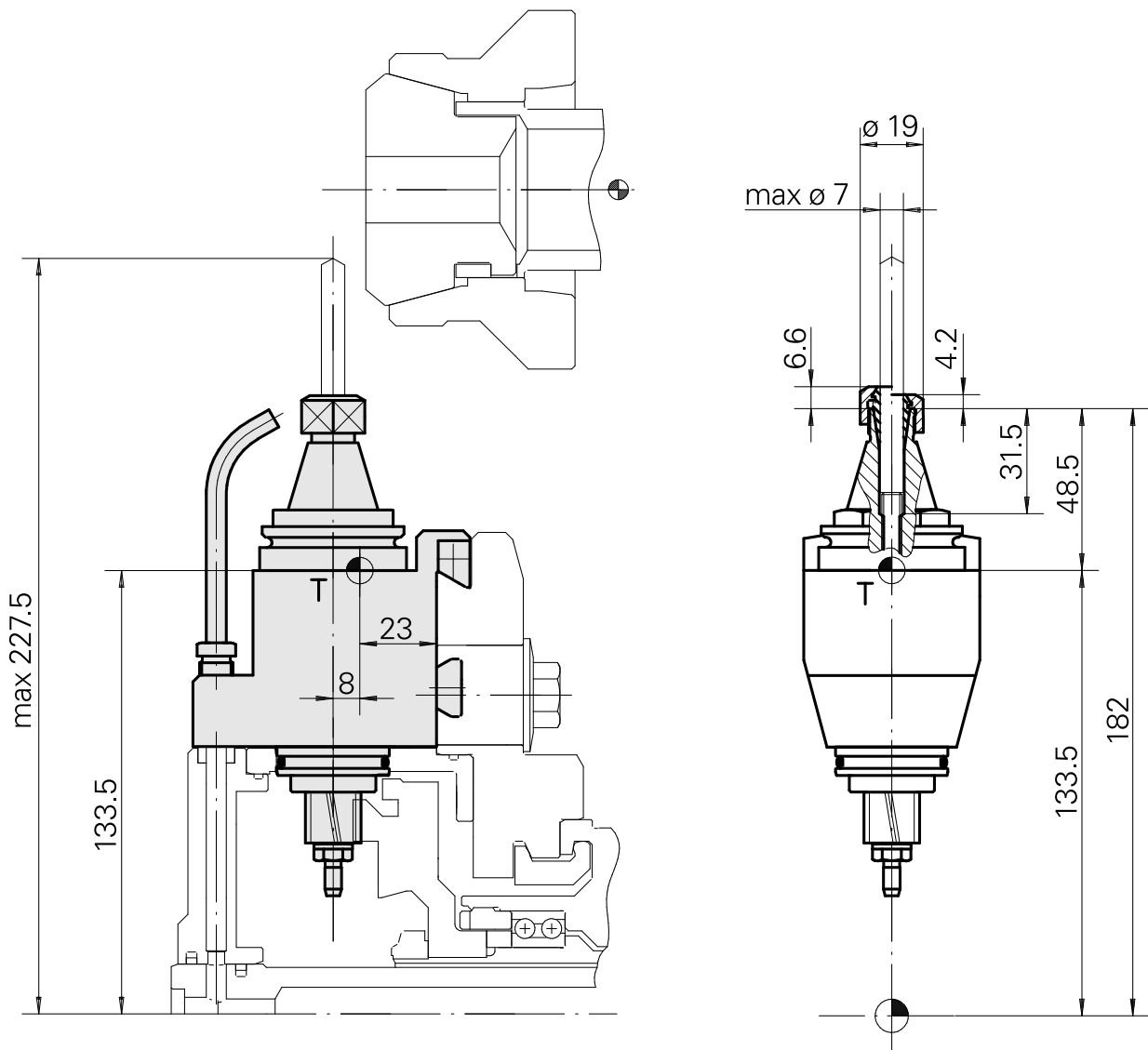
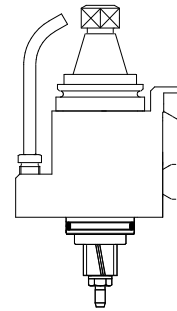


## Milling unit Circular prism 1:1 ER11

### Technical data

Shank TNL	Circular prism
Drive	Overall drive
Fixation TNL	Central tensioning screw
Speed ratio	1:1
Cooling	external
Pressure	30 bar
Mounting	ER11
INDEX TRAUB products	TNK36 • TNL26



---

## Documents

No downloads available for this product

## Accessories

Required for operation

### [Spanner](#)

Product ID : 10969996

Previous product ID : 490219.0111

TH accessories category Tool	Mounting ER11	Collet type ER 11	Clamping nut type Female thread
Tools for Collet chucks Clamping nut wrench			

### Optional accessories

#### Tool holder accessories

### [Clamping nut](#)

Product ID : 10302707

Previous product ID : 322438

TH accessories category Clamping nut	Mounting ER11	Collet type ER 11	Clamping nut type Female thread
---	------------------	----------------------	------------------------------------

#### Other accessories

### [Clamping collet](#)

Product ID : 10086829

Previous product ID : 901930.0---

---

### [tapping tool collet ET-1-12](#)

Product ID : 10001911

Previous product ID : 3239--

---

10955197  
836902

**INDEX**

---

[tapping tool collet ER11GB](#)

Product ID : 10285407

Previous product ID : 900288

---

[Collet chuck](#)

Product ID : 10132309

Previous product ID : W999064-

---