

## WFB 20-12 Milling shaft D10

### Technical data

TH accessories category

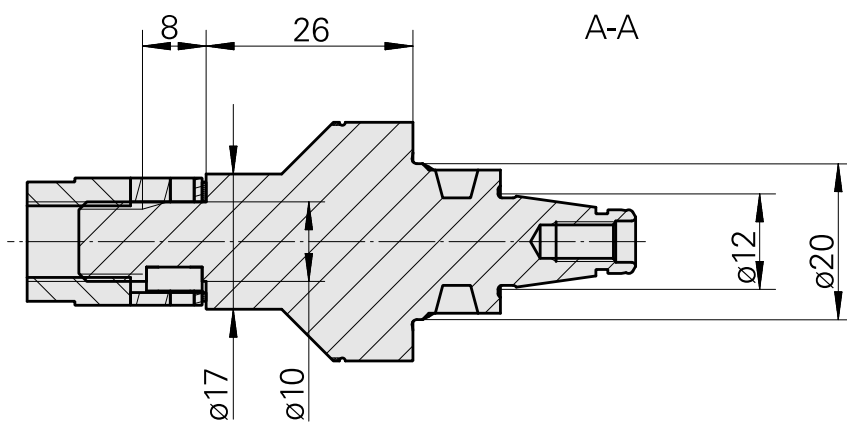
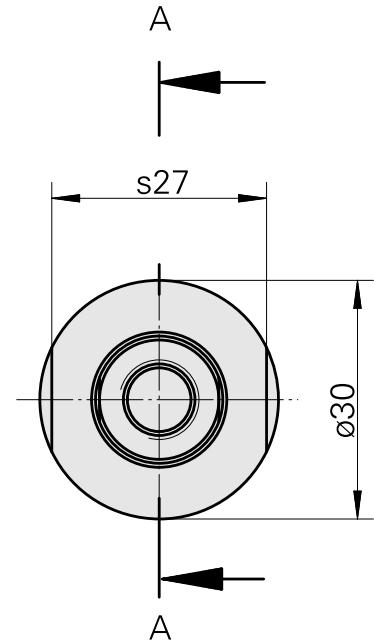
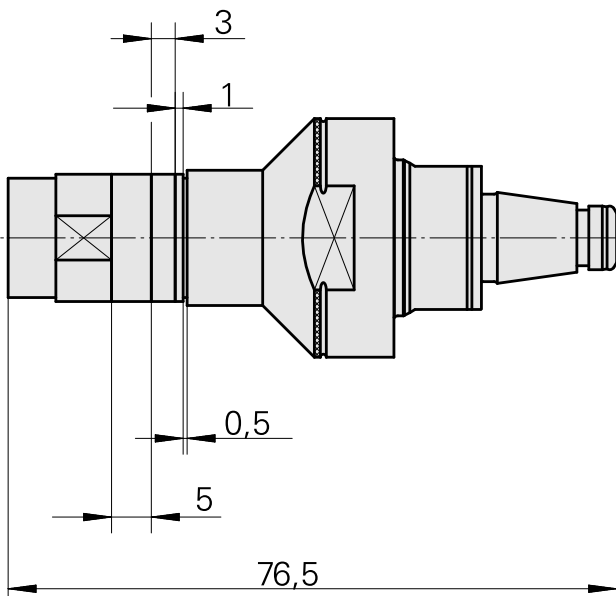
WFB 20-12

Mounting

Milling shaft D10

Quick change inserts

mill arbor mounting



## Documents

No downloads available for this product

## Accessories

Optional accessories

### Other accessories

#### [Ring](#)

Product ID : 10398855

Previous product ID : 251390.-----

---

#### [Ring](#)

Product ID : 10169490

Previous product ID : 251391.-----

---