

Adaptor

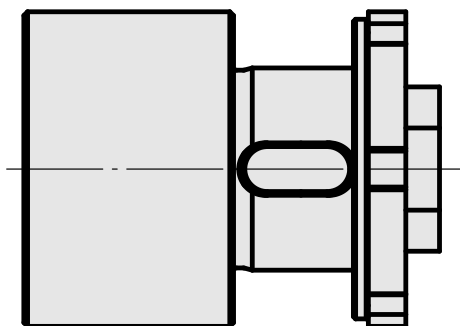
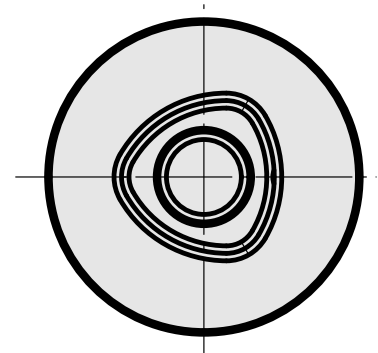
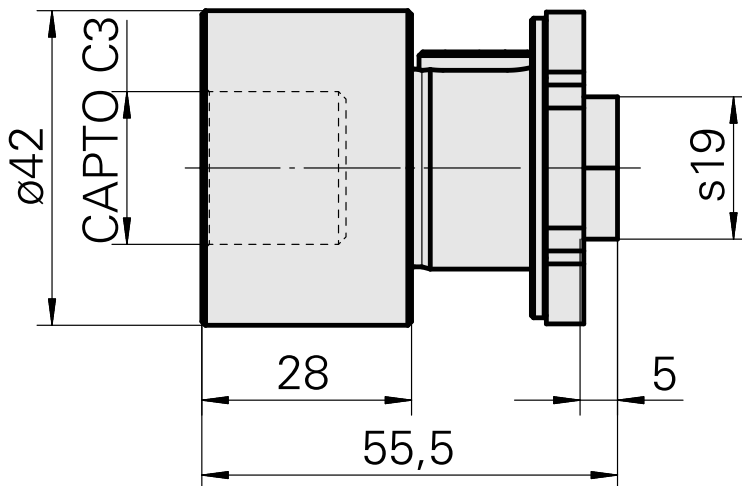
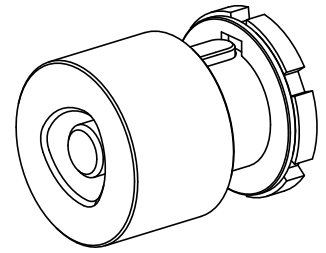
Technical data

TH accessories category

Adapters INDEX CAPTO C3

Mounting

Milling shaft D32



10910688
W9991073

INDEX

Documents

No downloads available for this product