

## Adaptor

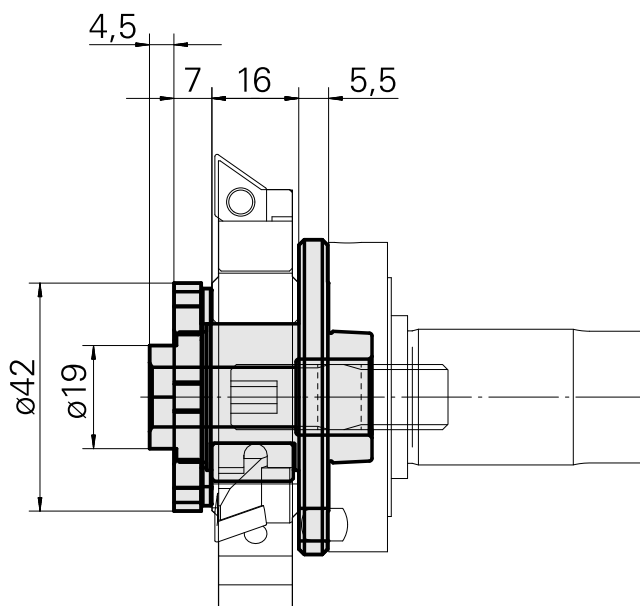
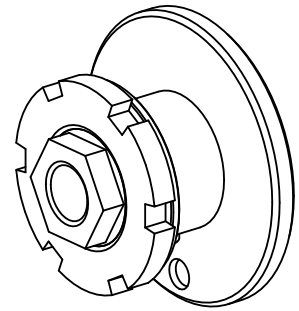
### Technical data

TH accessories category

Adapter KK-32

Mounting

Milling shaft D27



---

## Documents

No downloads available for this product

## Accessories

Optional accessories

**Other accessories**

### [Base element](#)

Product ID : 10269925

Previous product ID : 223800.2301

TH accessories  
category  
Base body, 3-fluted

Mounting  
Milling shaft D27