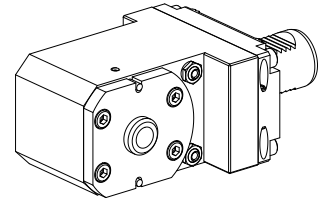


---

**Center holder VDI 40 D15.4 (0.61 ")/Con, vertically adjustable, not spring-loaded**

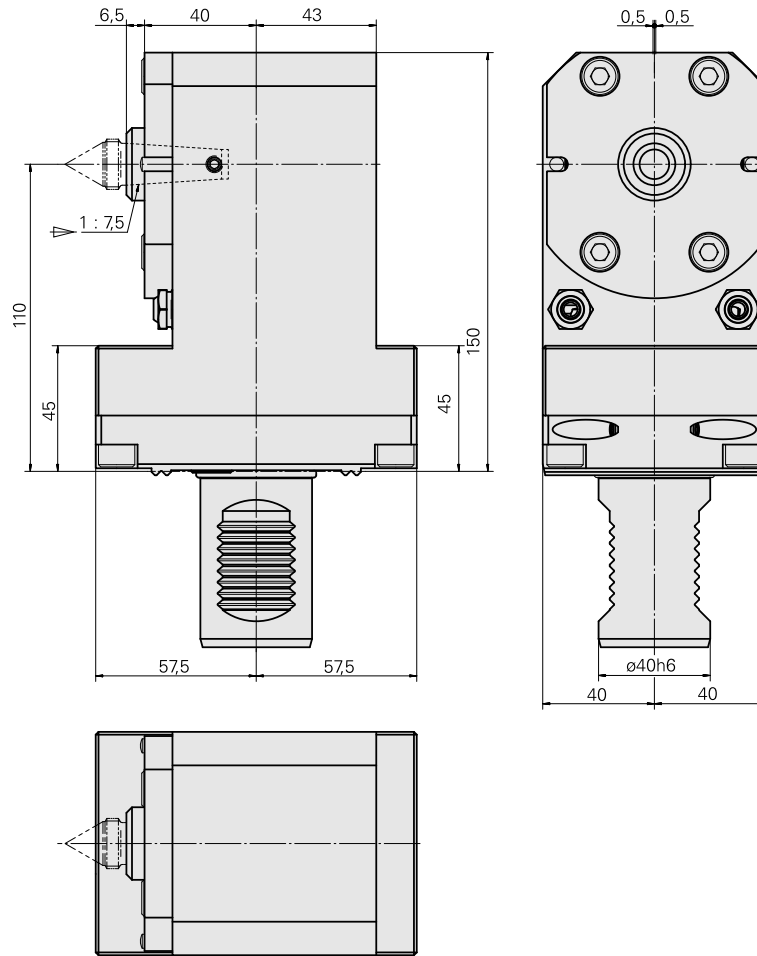
**Technical data**

<b>Shank VDI</b>	VDI 40
<b>Drive</b>	not live
<b>Fixation VDI</b>	W serration
<b>Cooling</b>	external
<b>Pressure</b>	80 bar
<b>Mounting</b>	D15.4/Cone 1:7.5
<b>reversible 180°</b>	yes
<b>X [mm]</b>	110 (4.33")
<b>Y [mm]</b>	±0.5 (±0.02)
<b>Z [mm]</b>	46.5 (1.83)
<b>INDEX TRAUB products</b>	G420 • G400.2



**Note**

Center is replaceable!



---

## Documents

No downloads available for this product

## Accessories

### Optional accessories

#### Tool holder accessories

##### [tube, M6x48,45°](#)

Product ID : 10683174

Previous product ID : W63501.2622

TH accessories  
category  
Cooling lubricant tube

Mounting  
M6

#### Other accessories

##### [Center Kegel 1:7.5](#)

Product ID : 10606287

Previous product ID : W9636-.21--

---

##### [Coolant Nozzle](#)

Product ID : 11031912

Previous product ID : W67500.3208

---

##### [Sealing kit](#)

Product ID : 12181693

Previous product ID :