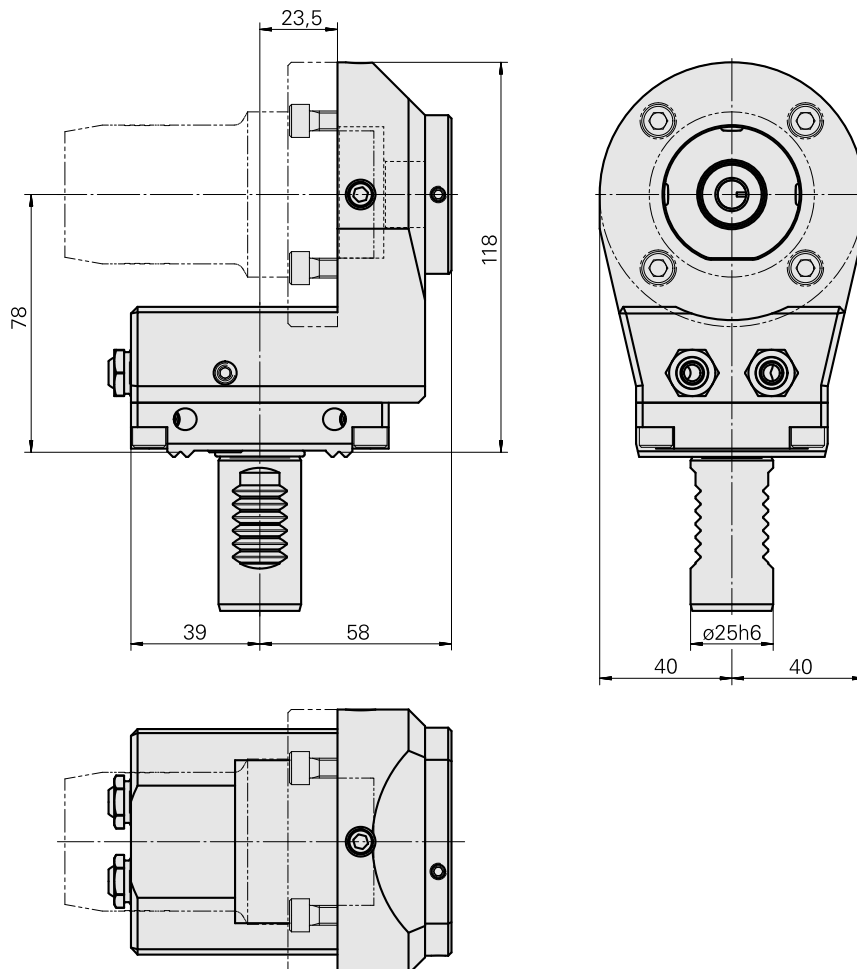
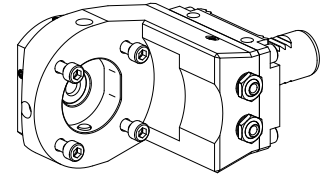


## Basic holder VDI 25

### Technical data

<b>Shank VDI</b>	VDI 25
<b>Drive</b>	not live
<b>Fixation VDI</b>	W serration
<b>Cooling</b>	external and internal
<b>Pressure</b>	80 bar
<b>reversible 180°</b>	yes
<b>X [mm]</b>	78 (3.07")
<b>Y [mm]</b>	–
<b>Z [mm]</b>	-23.5 (-0.93)
<b>INDEX TRAUB products</b>	C42/65 • G160 • ABC • C100 • C200 • G200 • G200.2 • G220 • ABC.2 • G220.3 • TNX220.3 • TNX200.3 • G200.3 • TNX160.2



## Documents

### Product notes

[EN \(pdf\)](#)

[FR \(pdf\)](#)

[DE \(pdf\)](#)

## Accessories

### Optional accessories

#### Tool holders with VDI shank

#### [Drill holding block Hydraulic expansion](#)

Product ID : 10339021

Previous product ID : W9990315

Drive not live	Fixation VDI none	Cooling external and internal	Pressure 80 bar
Mounting Hydraulic expansion chuck D12	X [mm] 77.5 (3.05")	Y [mm] -	Z [mm] -
INDEX TRAUB products G160 • ABC • C100 • C200 • G200 • G200.2 • G220 • ABC.2			

#### [Drill holding block Hydraulic expansion](#)

Product ID : 10090979

Previous product ID : W9990314

Drive not live	Fixation VDI none	Cooling external and internal	Pressure 80 bar
Mounting Hydraulic expansion chuck D20	X [mm] 83 (3.27")	Y [mm] -	Z [mm] -
INDEX TRAUB products G160 • ABC • C100 • C200 • G200 • G200.2 • G220 • ABC.2			

### Other accessories

---

[Sealing kit](#)

Product ID : 12181692  
Previous product ID :

---

[PLUG 10,5 D MIT O-RING 479105.0801](#)

Product ID : 10823291  
Previous product ID : W67221.4198

---

[Coolant Nozzle](#)

Product ID : 11031912  
Previous product ID : W67500.3208

---

[BUSHING 10 D x 6 D x 12,5](#)

Product ID : 10670360  
Previous product ID : W67530.0824

---

[HOLLOW SCREW M14x1 M14x1](#)

Product ID : 10105238  
Previous product ID : W67530.0818

---

[Nozzle M6 mit D1,6](#)

Product ID : 10147428  
Previous product ID : W00019.0216

---