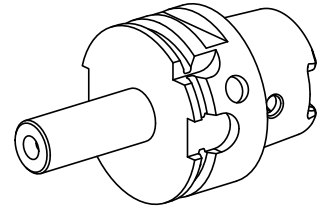

Blanking plug HSK 40 A D12 (0.47 ")

Technical data

Shank HSK	HSK 40
Form HSK	A
Mounting	D12
X [mm]	50 (1.97")
INDEX TRAUB products	G160 • V100 • G200.2 • G220 • R200 • TNX65/42 • G220.3 • TNX220.3

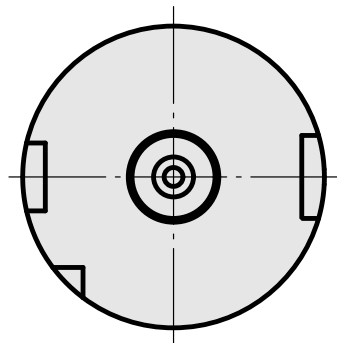


Note

No rotation permitted!



DIN 69893
HSK 40 A



Documents

No downloads available for this product

Accessories

Optional accessories

Tool holder accessories

[Coolant adapter kit](#)

Product ID : 10581780

Previous product ID : WS7400.0020

TH accessories
category
Cooling lubricant
transfer set

Mounting
HSK 40 A/C

[Socket wrench](#)

Product ID : 10532354

Previous product ID : WS7400.0010

TH accessories
category
Tool for KSS adapter

Mounting
HSK 40 A/C