

Centering drill, 60° D17 mm (0.66") for hollow parts

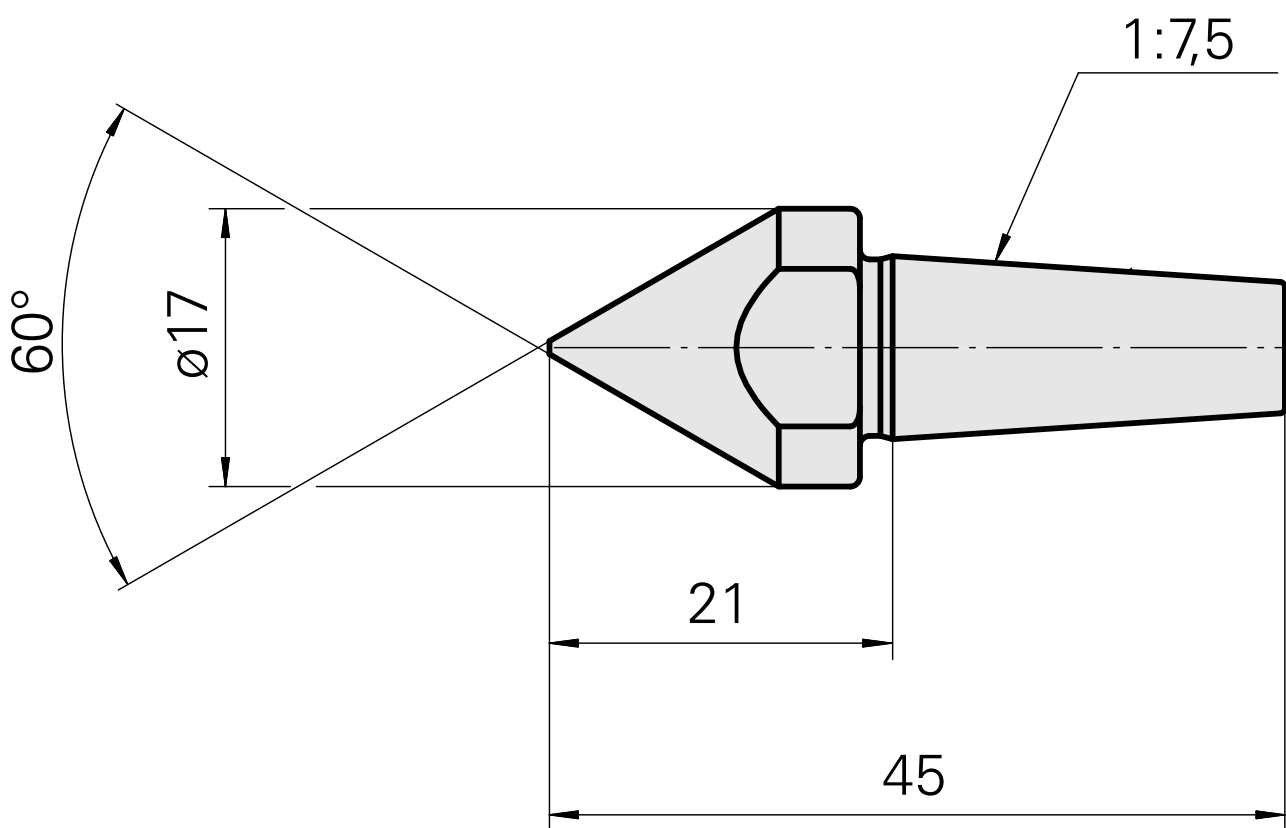
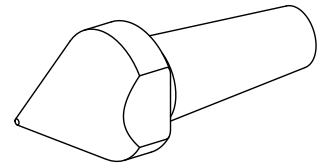
Technical data

TH accessories category

Center, universal

Mounting

D11.2/Cone 1:7.5



Documents

No downloads available for this product