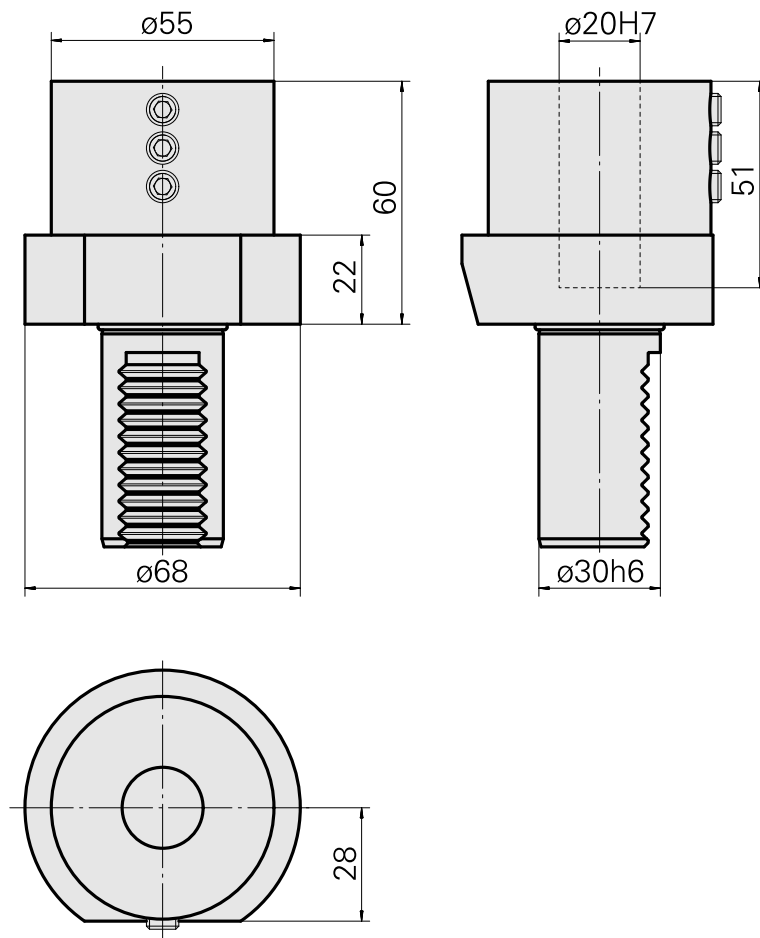
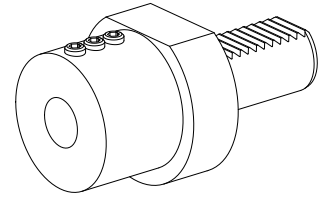


## Drilling tool holder VDI 30 D20, Form E2

### Technical data

Shank VDI	VDI 30
Drive	not live
Fixation VDI	none
Cooling	external and internal
Pressure	20 bar
Mounting	D20
reversible 180°	no
Data carrier	check tool station bore
X [mm]	60 (2.36")
Y [mm]	–
Z [mm]	–
INDEX TRAUB products	V100 • V200 • V160C • V160G • TNA300



## Documents

No downloads available for this product

## Accessories

Optional accessories

### Other accessories

#### [Mounting sleeve D20](#)

Product ID : 10994732

Previous product ID : W62220.01--

---

#### [Mounting sleeve with collar D20](#)

Product ID : 10063939

Previous product ID : W68510.04--

---