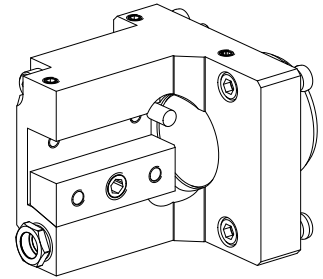


Turning tool holder KPS 45 square 16x16, counterclockwise rotation

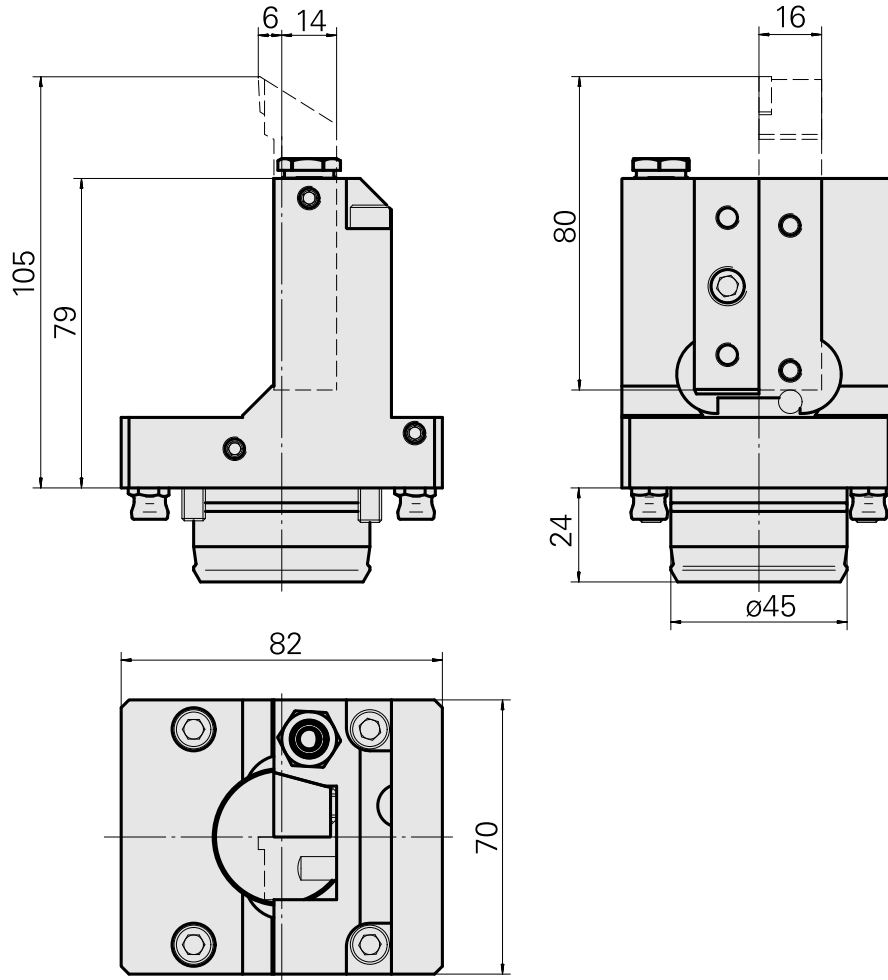
Technical data

| | |
|-----------------------------|--|
| Shank KPS | KPS 45 |
| Drive | not live |
| Cooling | external |
| Mounting | Square 16x16 |
| Pressure | 80 bar |
| X [mm] | 79 (3.11") |
| Y [mm] | – |
| Z [mm] | -14 (-0.55) |
| INDEX TRAUB products | TNL18 • TNL20 • TNL32-11 • TNL32 • TNL32-11 compact • TNL20-11 • TNL32 compact • TNK40.2-10 • TNL20.2 • TNK40.2 |



Note

Only for reverse operation!



Documents

No downloads available for this product

Accessories

Optional accessories

Tool holder accessories

[Coolant tube, L=100 mm \(3.93"\)](#)

Product ID : 10346684

Previous product ID : W9990559

TH accessories
category
Cooling lubricant tube

Mounting
M6

Other accessories

[Coolant Nozzle](#)

Product ID : 11031912

Previous product ID : W67500.3208

[Nozzle Kugel D10 - Bohrung D2 40°](#)

Product ID : 10072335

Previous product ID : 910693

[BUSHING 10 D x 6 D x 12,5](#)

Product ID : 10670360

Previous product ID : W67530.0824

[HOLLOW SCREW M14x1 M14x1](#)

Product ID : 10105238

Previous product ID : W67530.0818

10793291
W7040038

INDEX

Nozzle M6 mit D1,6

Product ID : 10147428

Previous product ID : W00019.0216
