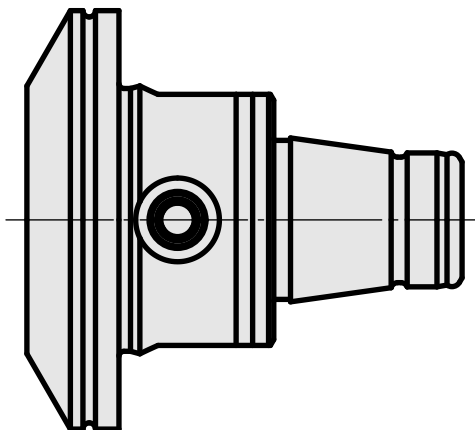
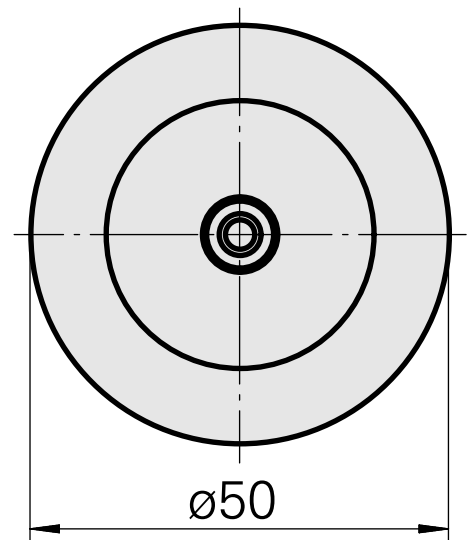
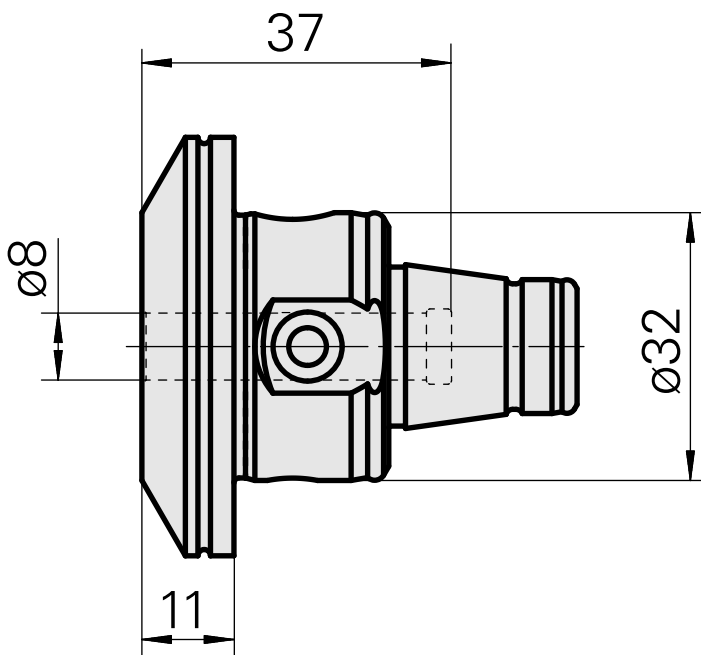
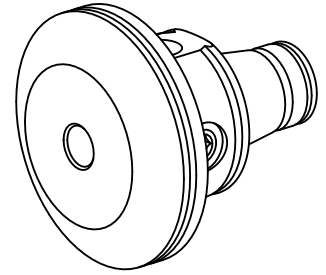


## WFB 32-20 D8

### Technical data

TH accessories category	WFB 32-20
Mounting	D8
Quick change inserts	Weldon mounting



10746330  
W9991066

**INDEX**

---

## **Documents**

No downloads available for this product