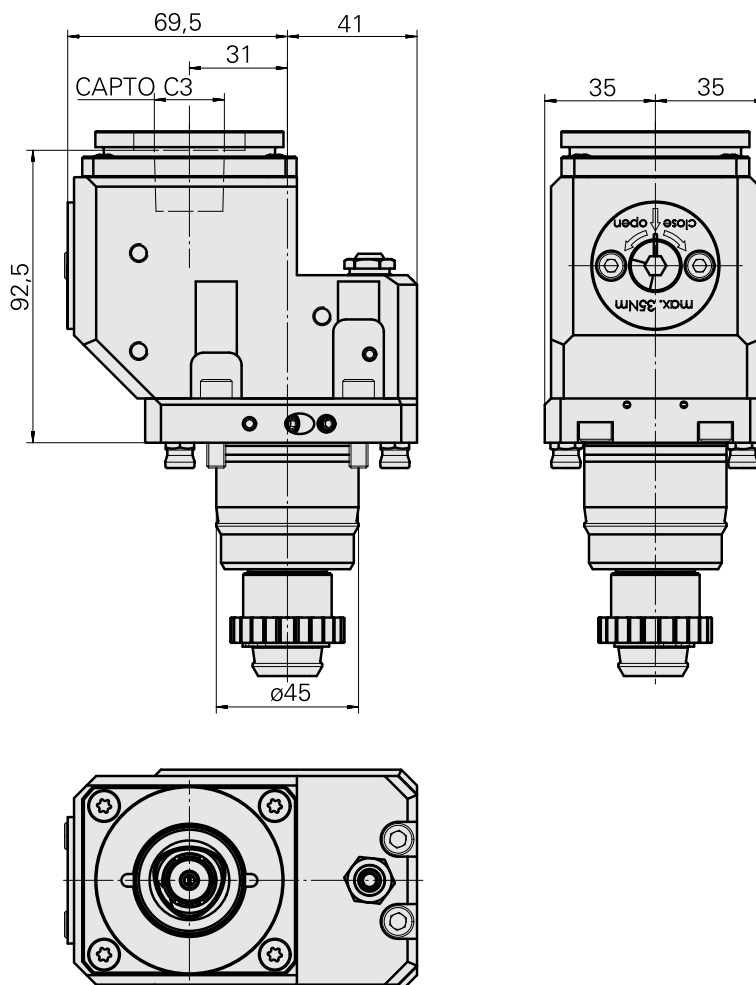
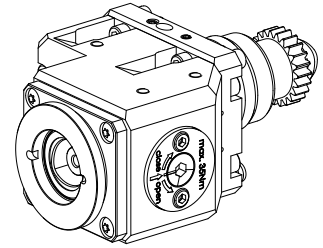


## Milling unit KPS 45 1:1 INDEX CAPTO C3

### Technical data

<b>Shank KPS</b>	KPS 45
<b>Drive</b>	Spur gear 23 Teeth
<b>Speed ratio</b>	1:1
<b>Cooling</b>	external and internal
<b>Mounting</b>	INDEX CAPTO C3
<b>Pressure</b>	80 bar
<b>Direction</b>	opposite to drive direction
<b>X [mm]</b>	92.5 (3.64")
<b>Y [mm]</b>	–
<b>Z [mm]</b>	31 (1.22)
<b>INDEX TRAUB products</b>	ABC65 • TNK42/65 • TNL32-11 • TNL32



---

## Documents

### Product notes

[FR \(pdf\)](#)

[DE \(pdf\)](#)

[EN \(pdf\)](#)

[DE \(pdf\)](#)

[EN \(pdf\)](#)

[FR \(pdf\)](#)

## Accessories

### Optional accessories

#### Tool holder accessories

#### [Coolant tube, L=100 mm \(3.93"\)](#)

Product ID : 10346684

Previous product ID : W9990559

TH accessories  
category  
Cooling lubricant tube

Mounting  
M6

#### [Spanner](#)

Product ID : 10975197

Previous product ID : W9990560

TH accessories  
category  
Tool

Tools for Collet chucks  
Wrench spur gear (23  
teeth)

#### Other accessories

#### [Coolant Nozzle](#)

Product ID : 11031912

Previous product ID : W67500.3208

---

[HOLLOW SCREW M14x1 M14x1](#)

Product ID : 10105238  
Previous product ID : W67530.0818

---

[BUSHING 10 D x 6 D x 12,5](#)

Product ID : 10670360  
Previous product ID : W67530.0824

---

[Nozzle M6 mit D1,6](#)

Product ID : 10147428  
Previous product ID : W00019.0216

---

[Adapter INDEX CAPTO C3 rotating](#)

Product ID : 10925971  
Previous product ID : WZ9990.3000F

---