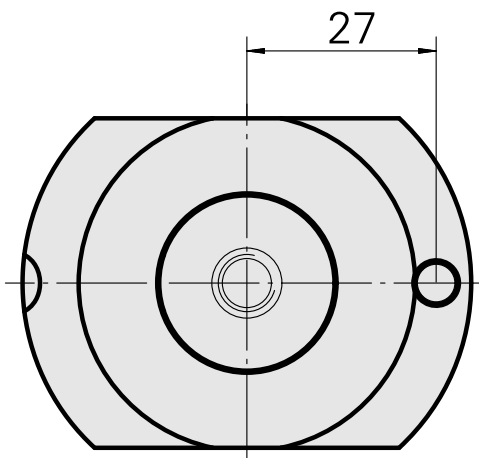
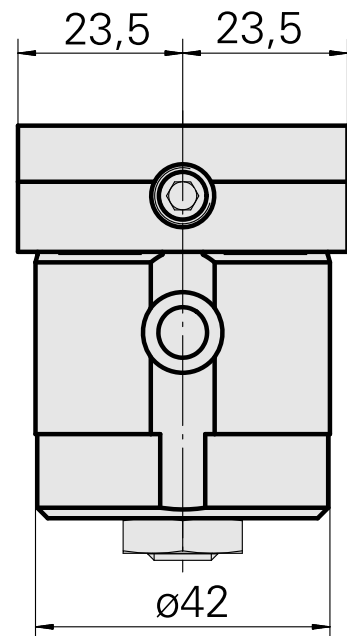
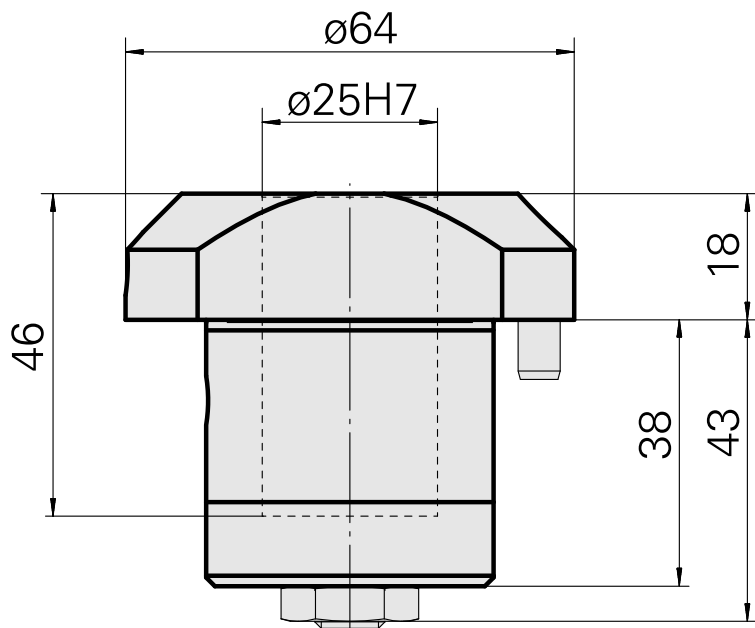
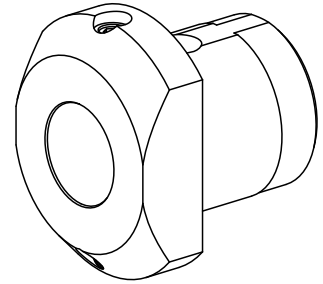


## Drill holding block D25

### Technical data

Drive	not live
Fixation MS	Shank D42
Mounting	D25
X [mm]	18 (0.71")
Y [mm]	-
Z [mm]	-
INDEX TRAUB products	MS52C • A200-6 • MS52-6.3



## **Documents**

No downloads available for this product

## **Accessories**

Optional accessories

### **Other accessories**

[Mounting sleeve with collar D25](#)

Product ID : 10070544

Previous product ID : W62221.41--

---