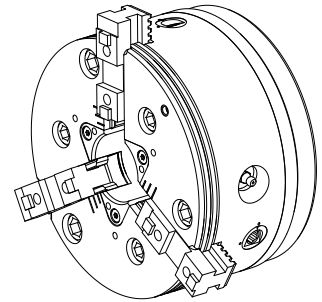


## 3-jaw chuck

### Technical data

<b>INDEX TRAUB products</b>	G200.2 • G220 • C200 • R200
<b>Spindle clearance</b>	65mm
<b>Machining side</b>	Counter spindle
<b>manufacturer product line</b>	ROTA THW PLUS 165-43 Z140
<b>Spindle mounting</b>	AP140
<b>Clamping device size</b>	165
<b>manufacturer product line</b>	Schunk



No 3-side view is currently available for this product

## **Documents**

No downloads available for this product

## **Accessories**

Required for operation

[drawbar adapter](#)

Product ID : 10311423

Previous product ID : 908125.0331

---