

WFB 20-12 ER11

Technical data

TH accessories category

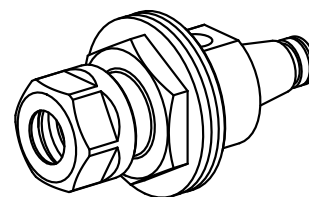
WFB 20-12

Mounting

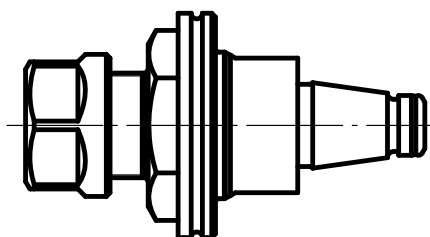
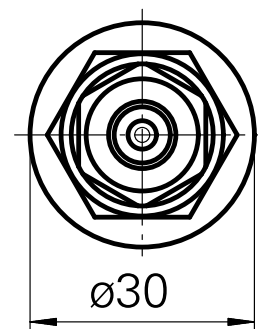
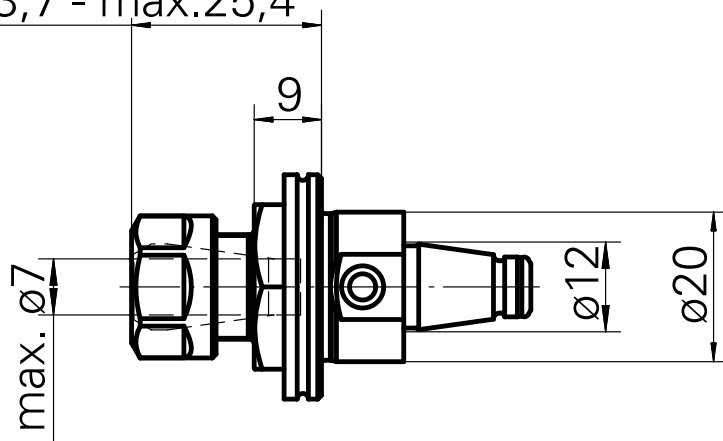
ER11

Quick change inserts

collet mounting



min.23,7 - max.25,4



Documents

No downloads available for this product

Accessories

Required for operation

[Spanner](#)

Product ID : 10969996

Previous product ID : 490219.0111

TH accessories category Tool	Mounting ER11	Collet type ER 11	Clamping nut type Female thread
Tools for Collet chucks Clamping nut wrench			

Optional accessories

Tool holder accessories

[Clamping nut](#)

Product ID : 10302707

Previous product ID : 322438

TH accessories category Clamping nut	Mounting ER11	Collet type ER 11	Clamping nut type Female thread
-----------------------------------------	------------------	----------------------	------------------------------------

Other accessories

[Clamping collet](#)

Product ID : 10086829

Previous product ID : 901930.0---

[tapping tool collet ET-1-12](#)

Product ID : 10001911

Previous product ID : 3239--

10667039
836621

INDEX

[tapping tool collet ER11GB](#)

Product ID : 10285407
Previous product ID : 900288

[Collet chuck](#)

Product ID : 10132309
Previous product ID : W999064-

[Adjusting screw M 5x10](#)

Product ID : 10674886
Previous product ID : 326793
