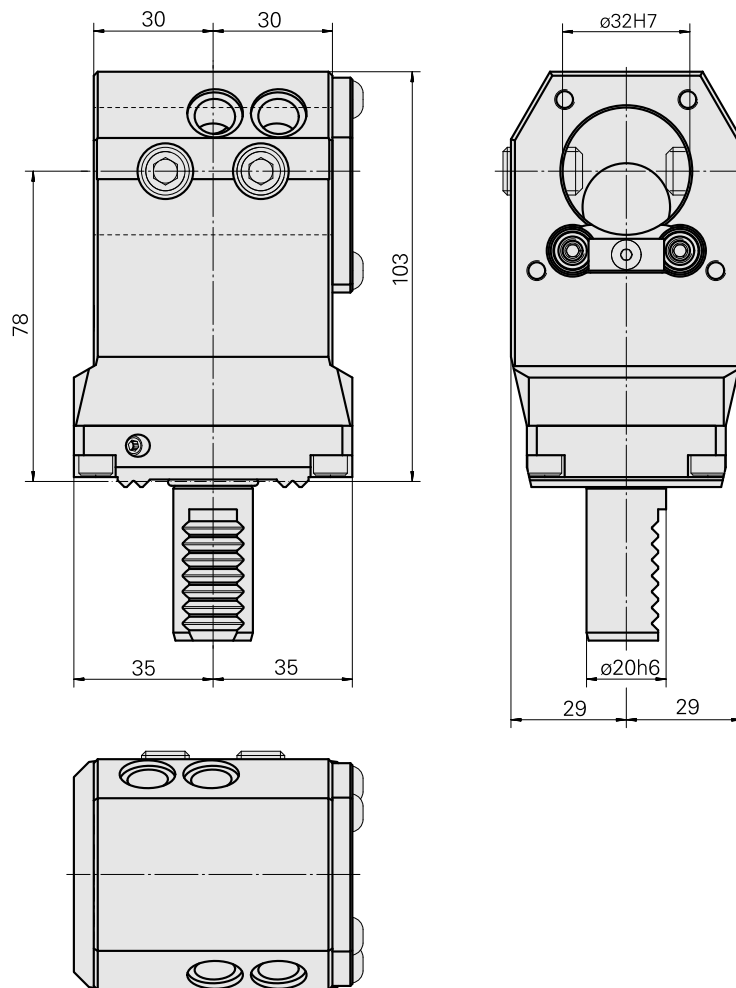
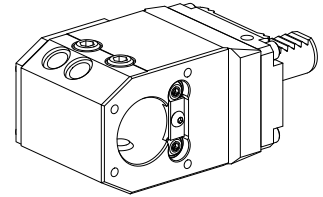


Drilling tool holder VDI 20 DIN 1835 B/E

Technical data

Shank VDI	VDI 20
Drive	not live
Fixation VDI	W serration
Cooling	external and internal
Pressure	40 bar
Mounting	DIN 1835 B/E D32
reversible 180°	no
X [mm]	78 (3.07")
Y [mm]	–
Z [mm]	30 (1.18)
INDEX TRAUB products	C100



Documents

No downloads available for this product

Accessories

Optional accessories

Tool holder accessories

[Center](#)

Product ID : 10890013

Previous product ID : W9990164

TH accessories
category
Center

Mounting
D32

Other accessories

[Mounting sleeve with collar D32](#)

Product ID : 10505810

Previous product ID : W63221.40--

[Mounting sleeve D32](#)

Product ID : 10022842

Previous product ID : W63220.02--

[Seal](#)

Product ID : 10478680

Previous product ID : W67221.4196

[BALL SPRAY NOZZLE 12D/M6](#)

Product ID : 10602750

Previous product ID : 474550.0101

10655688
W1150021

INDEX

Metal sheet

Product ID : 10669690
Previous product ID : W67222.4108

Socket head screw

Product ID : 10485258
Previous product ID : 410214.0410
