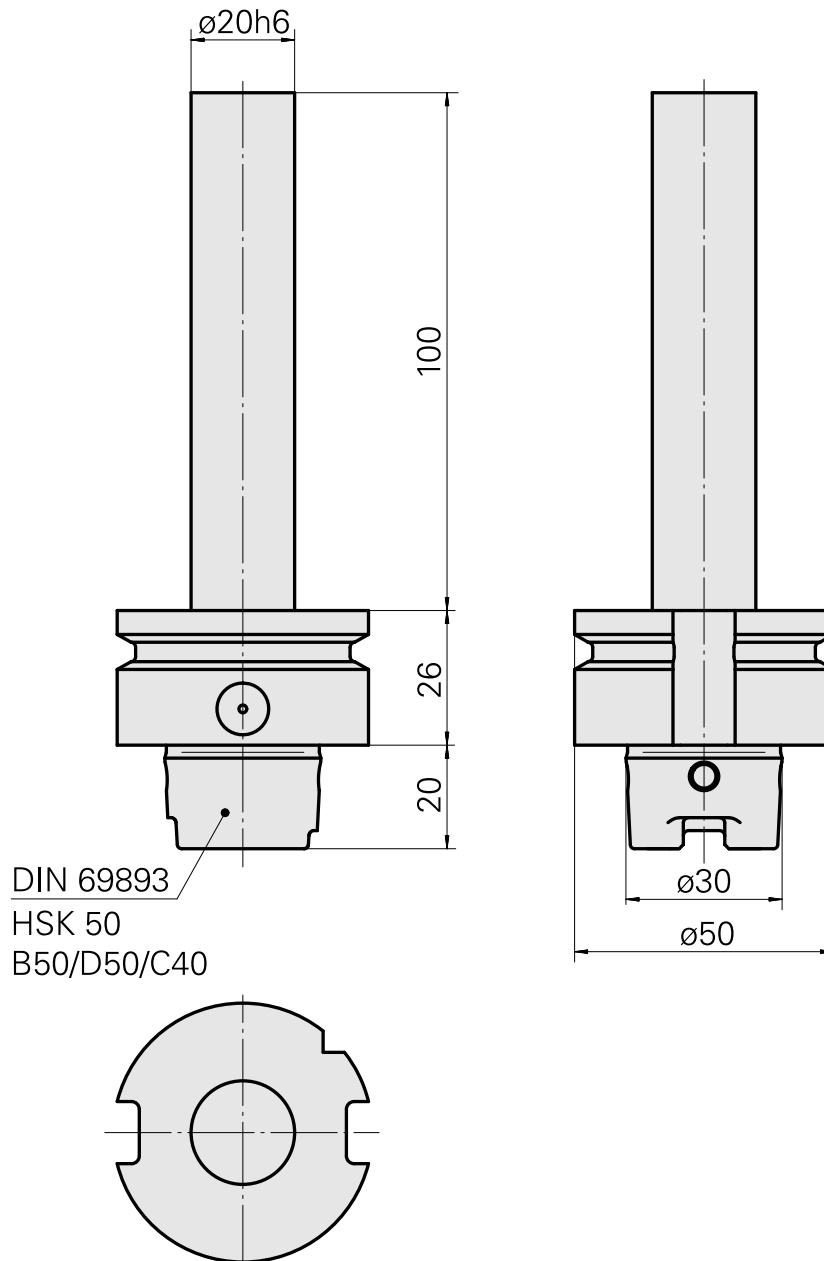
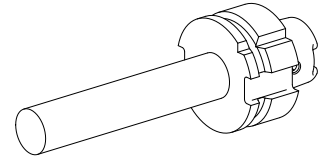


Calibrating tool HSK 50 B50/D50/C40

Technical data

Shank HSK	HSK 50
Form HSK	B50/D50/C40
X [mm]	126 (4.96")
INDEX TRAUB products	G300 • V100 • V200 • G200 • V300



Documents

No downloads available for this product