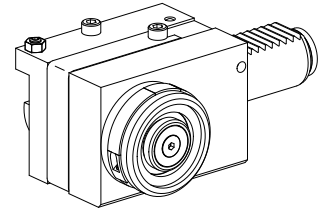


## Embossing roll holder VDI 30

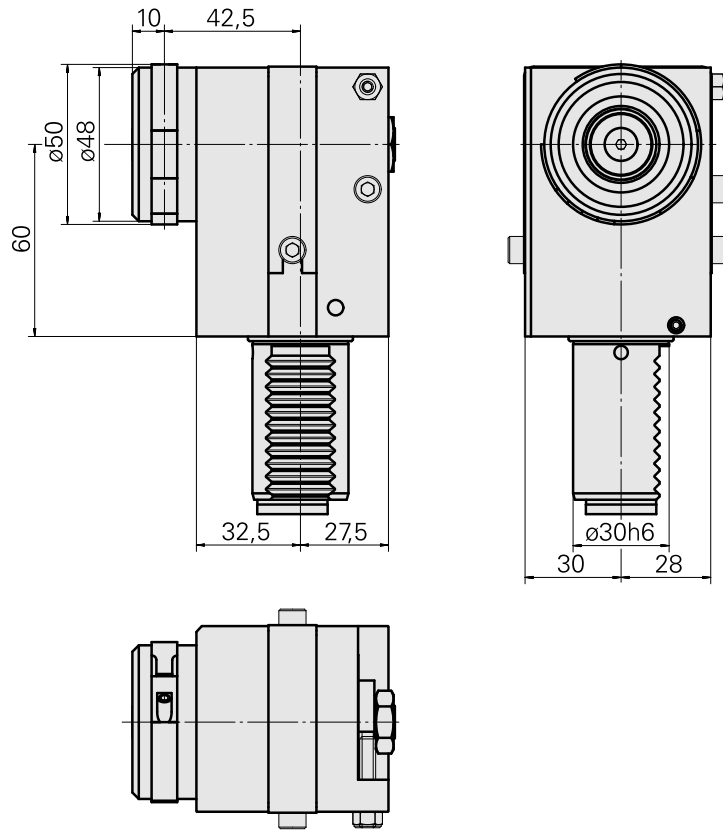
### Technical data

<b>Shank VDI</b>	VDI 30
<b>Drive</b>	not live
<b>Fixation VDI</b>	none
<b>Cooling</b>	internal
<b>Pressure</b>	20 bar
<b>reversible 180°</b>	no
<b>Data carrier</b>	check tool station bore
<b>X [mm]</b>	60 (2.36")
<b>Y [mm]</b>	–
<b>Z [mm]</b>	42.5 (1.67)
<b>INDEX TRAUB products</b>	G160 • G300 • IT600 • V100 • V200 • A200-6 • B400 • C200 • G220 • G250 • R300 • TNX65/42 • V160C • V160G • V300 • TNA300 • TNA400.2 • G220.3 • TNX220.3 • TNX200.3 • G200.3 • G320.3 compact • B400.3 • TNA400.3



### Note

Cooling lubricant supply unit required!



---

## Documents

No downloads available for this product

## Accessories

Optional accessories

### Tool holder accessories

#### [Embossing roller, D50 mm \(1.96"\)](#)

Product ID : 10609077

Previous product ID : W63380.0030

TH accessories  
category  
Embossing roller

#### [Embossing roller, D60 mm \(2.36"\)](#)

Product ID : 10446615

Previous product ID : W63380.0060

TH accessories  
category  
Embossing roller