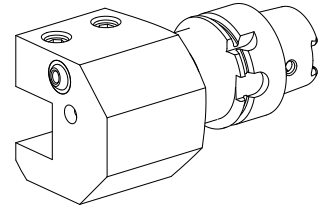


Turning tool holder HSK 40 T square 20x2

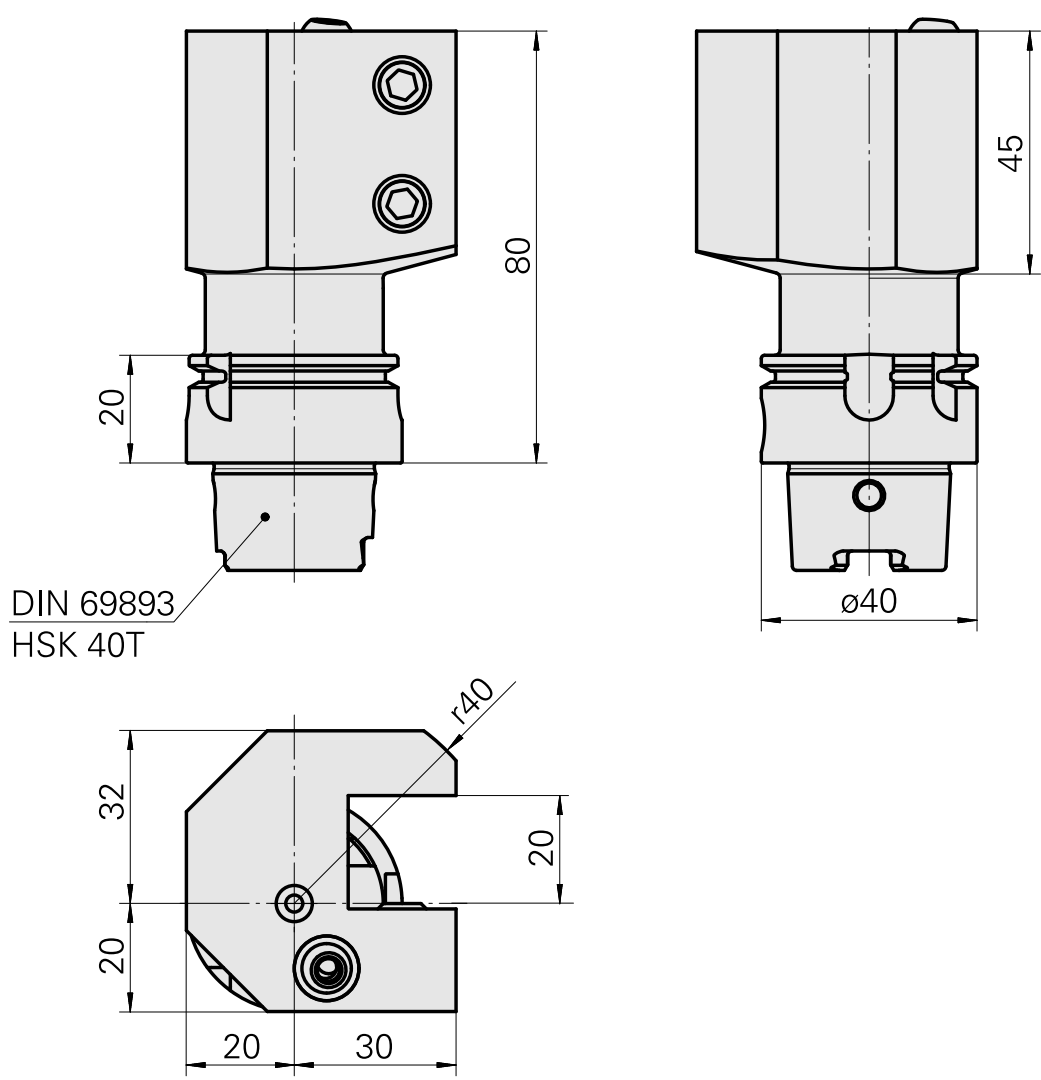
Technical data

| | |
|-----------------------------|---------------------------------|
| Shank HSK | HSK 40 |
| Form HSK | T |
| Mounting | Square 20x20 |
| Cooling | external |
| Pressure | 50 bar |
| X [mm] | 80 (3.15") |
| Z [mm] | 30 (1.18) |
| INDEX TRAUB products | G220.3 • G220 • R200 • TNX220.3 |



Note

Not suitable for INDEX G160, G250 and G400! Adjacent stations in the tool magazine can only be used to a limited extent!



Documents

No downloads available for this product

Accessories

Required for operation

[Socket wrench](#)

Product ID : 10532354

Previous product ID : WS7400.0010

TH accessories
category
Tool for KSS adapter

Mounting
HSK 40 A/C

Optional accessories

Tool holder accessories

[Coolant adapter kit](#)

Product ID : 10581780

Previous product ID : WS7400.0020

TH accessories
category
Cooling lubricant
transfer set

Mounting
HSK 40 A/C

[Coolant supply, max. 120 bar](#)

Product ID : 12024083

Previous product ID :

TH accessories
category
Cooling lubricant
transfer set

Mounting
HSK 40 A/C

[Angle, height 8 mm \(0.31"\), width 8 mm \(0.31"\)](#)

Product ID : 10271441

Previous product ID : W63300.0010

TH accessories
category
Compensation bracket

Mounting
Square 20x20

[Angle, Height 4 mm, Width 4 mm](#)

Product ID : 10135472

Previous product ID : W63300.0020

TH accessories
category
Compensation bracket

Mounting
Square 20x20