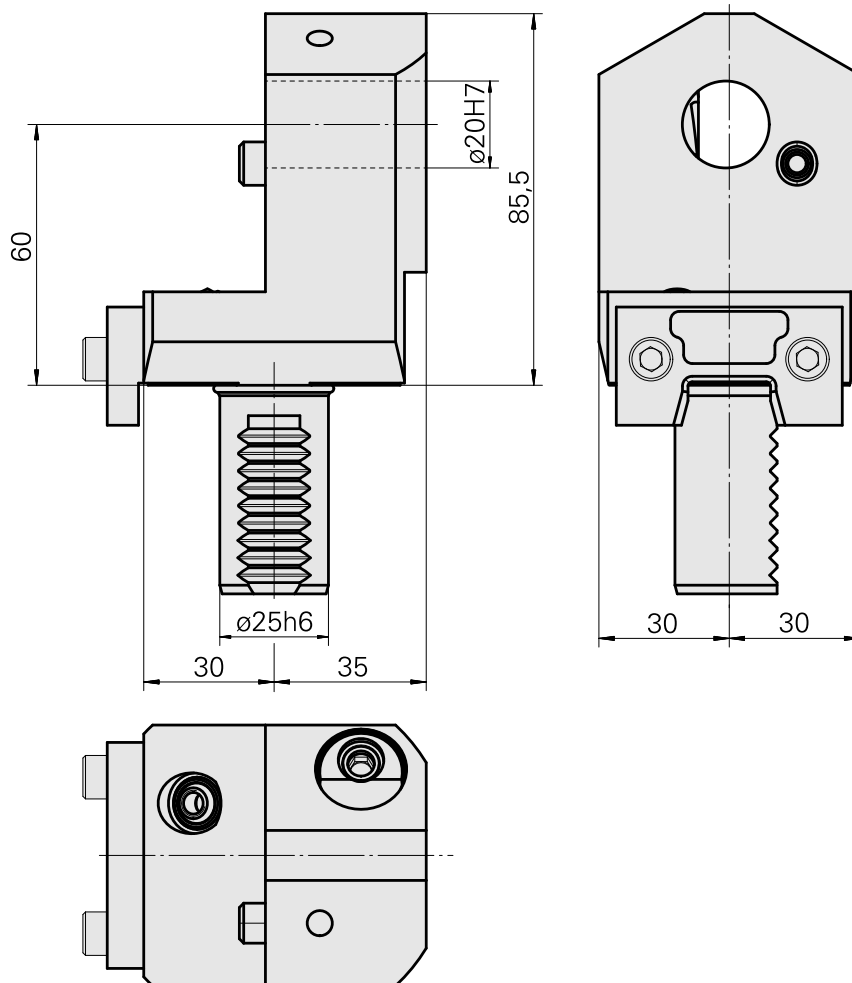


Compensation holder

Technical data

Shank VDI	VDI 25
Drive	not live
Fixation VDI	Vee bar
Cooling	external and internal
Pressure	40 bar
Mounting	VDI 20
reversible 180°	no
X [mm]	60 (2.36")
Y [mm]	–
Z [mm]	2 (0.08)
INDEX TRAUB products	ABC • ABC.2



Documents

No downloads available for this product

Accessories

Optional accessories

Other accessories

[BALL SPRAY NOZZLE 12D/M6](#)

Product ID : 10602750

Previous product ID : 474550.0101

[Not defined](#)

Product ID : 10494656

Previous product ID : WL3300.9110F
