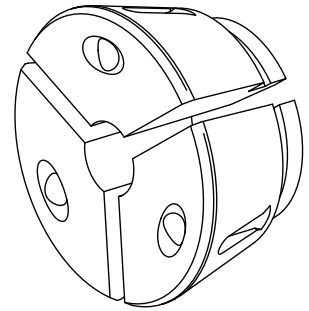


## Clamping head SK42 D=16,0mm

### Technical data

|                                  |                     |
|----------------------------------|---------------------|
| <b>Clamping device size</b>      | SK42                |
| <b>manufacturer product line</b> | SPANNTOP nova chuck |
| <b>Clamping type</b>             | smooth              |
| <b>Nominal diameter (mm)</b>     | 16 Millimeter       |
| <b>Clamping method</b>           | External clamping   |
| <b>manufacturer product line</b> | Hainbuch            |



No 3-side view is currently available for this product

## **Documents**

No downloads available for this product