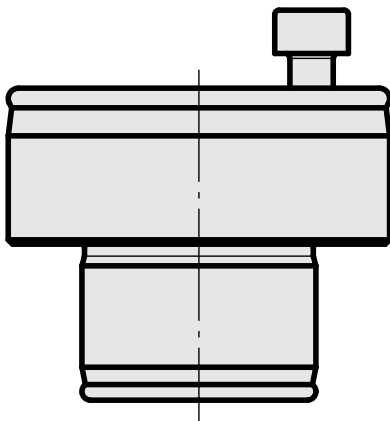
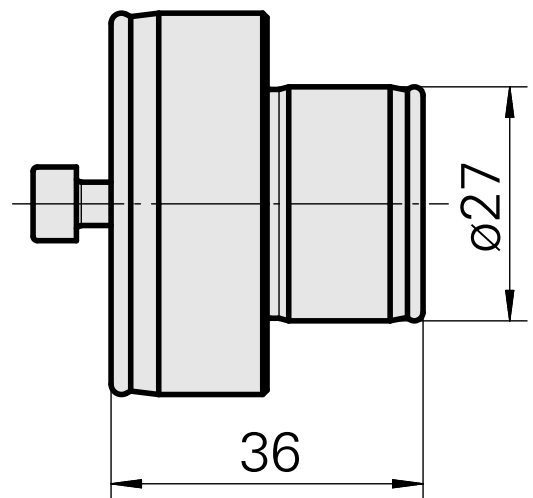
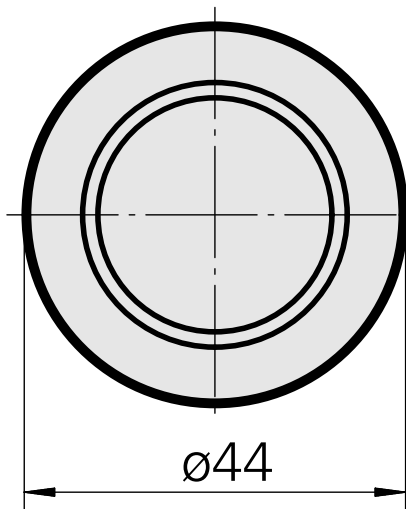
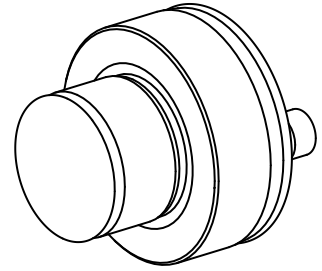


Base element, for presetting unit

Technical data

TH accessories category

Adapter pin D27



Documents

No downloads available for this product