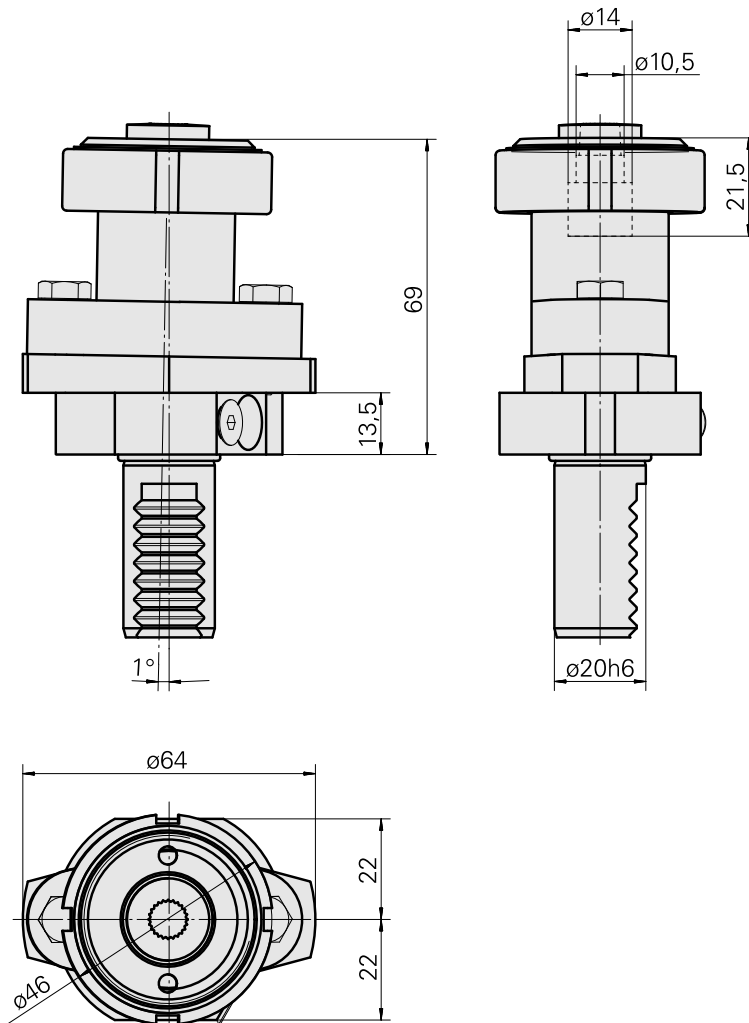
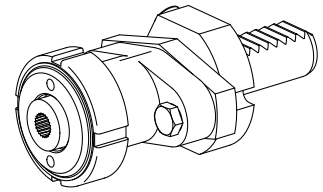


Broachholder VDI 20 D24, rotating, live

Technical data

Shank VDI	VDI 20
Drive	not live
Fixation VDI	none
Cooling	external
Pressure	20 bar
Mounting	D24
reversible 180°	no
X [mm]	69 (2.72")
Y [mm]	-
Z [mm]	-



Documents

Product notes

[DE \(pdf\)](#)

[EN \(pdf\)](#)

[FR \(pdf\)](#)

Accessories

Optional accessories

Other accessories

[Tube](#)

Product ID : 10699964

Previous product ID : W62211.2110
